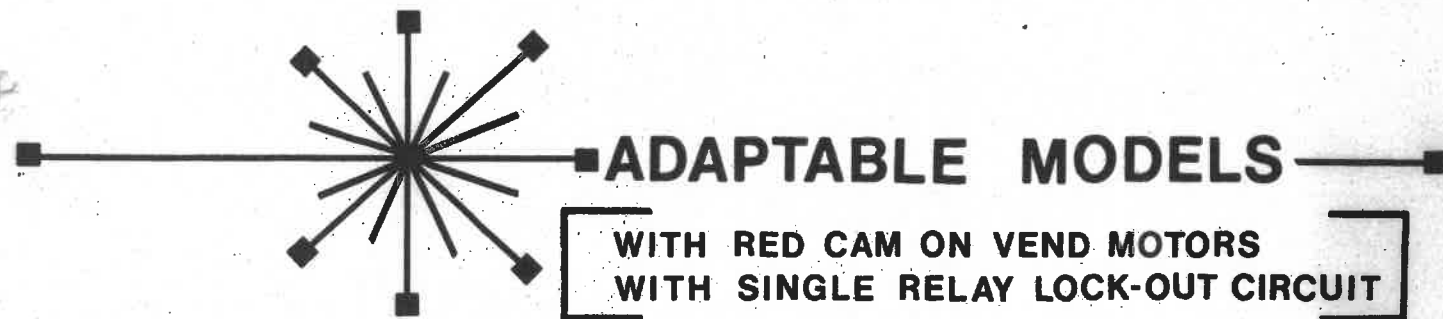


DIXIE-NARCO

¹⁹⁷⁷
SERVICE MANUAL
PARTS LIST

Bottle / Double Depth Can Venders



DCB170/100-5

DCB250/145-5

DCB290/170-5

DCB350/200-5

DCB300/174-6

DCB348/204-6

DCB420/240-6



WARRANTY

Dixie-Narco warrants to the original purchaser of a Dixie-Narco unit all parts thereof (except light bulbs, fuses, or finish) to be free from defects in material and workmanship, under normal use and for a period of 15 months from the date of shipment of the unit from either our plant or warehouse.

The term "original purchaser" as used in this warranty shall be deemed to mean that person, firm, association, or corporation to which the machine was sold originally.

Dixie-Narco's obligation under this warranty is limited to repairing or replacing without charge any part which upon our examination and to our satisfaction was defective in material or in workmanship and which failed under normal operating conditions and service.

The hermetically sealed refrigeration system, consisting of the motor compressor, condenser, evaporator and the refrigerant tubing is warranted for a total period of five (5) years and three (3) months from date of shipment.

The vend motor is warranted for a total period of five (5) years and three (3) months from date of shipment.

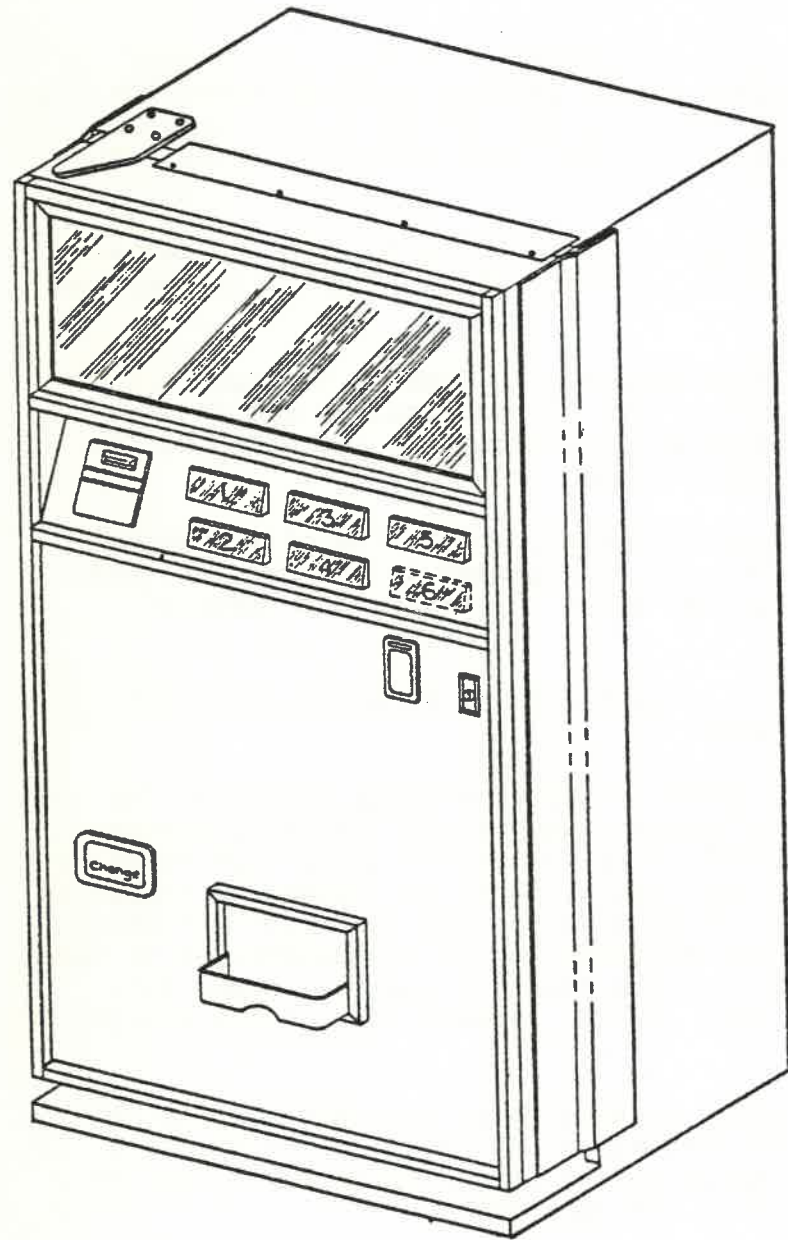
The five year warranty does not apply to any electrical controls, fan motors, overload switches, starting relays, temperature controls, wiring harnesses, cabinet or finish. Dixie-Narco's obligation under this warranty on the sealed refrigeration system referred to above is limited to repairing and returning or replacing at Dixie-Narco's option any unit with a similar unit when upon examination and to our satisfaction it was determined to have been defective. If our examination reveals that the unit is inoperative because of a defective accessory, both cost of repairs and freight charges will be paid by the customer.

Dixie-Narco will pay transportation charges under this warranty on all parts replaced or repaired when transportation has been made in the most economical way. If special handling or special transportation is used or requested, the charges will be paid by the customer.

This warranty only applies to units located within the United States and when operated in normal conditions and with electrical power supplies of 110/120 volts, 60 cycle. Further, the warranty is voided when a unit or any part has been subject to misuse, neglect, alteration without proper authorization, accident, or damage caused by transportation, flood, civil disorder, fire or the Acts of God.

"Return Material Tags" indicating model number of unit, serial number, and explanation of defect, must accompany all returned parts or units. "Return Material Tags" will be furnished upon request.

T I T L E P A G E



DCB170/100-5
 Height: 56-11/16
 Width: 28-5/16
 Depth: 26
 Shipping Wt: 462 lbs.
 Capacity:
 Can, 12 oz. - 180
 Bottle, Regular - 105

DCB250/145-5
 Height: 66-5/16
 Width: 28-5/16
 Depth: 26
 Shipping Wt: 532 lbs.
 Capacity:
 Can, 12 oz. - 260
 Bottle, Regular - 150

DCB290/170-5
 Height: 72
 Width: 28-5/16
 Depth: 26
 Shipping Wt: 562 lbs.
 Capacity:
 Cans, 12 oz. - 300
 Bottle, Regular - 175

DCB350/200-5
 Height: 79-1/2
 Width: 28-5/16
 Depth: 26
 Shipping Wt: 598 lbs.
 Capacity:
 Can, 12 oz. - 360
 Bottle, Regular - 205

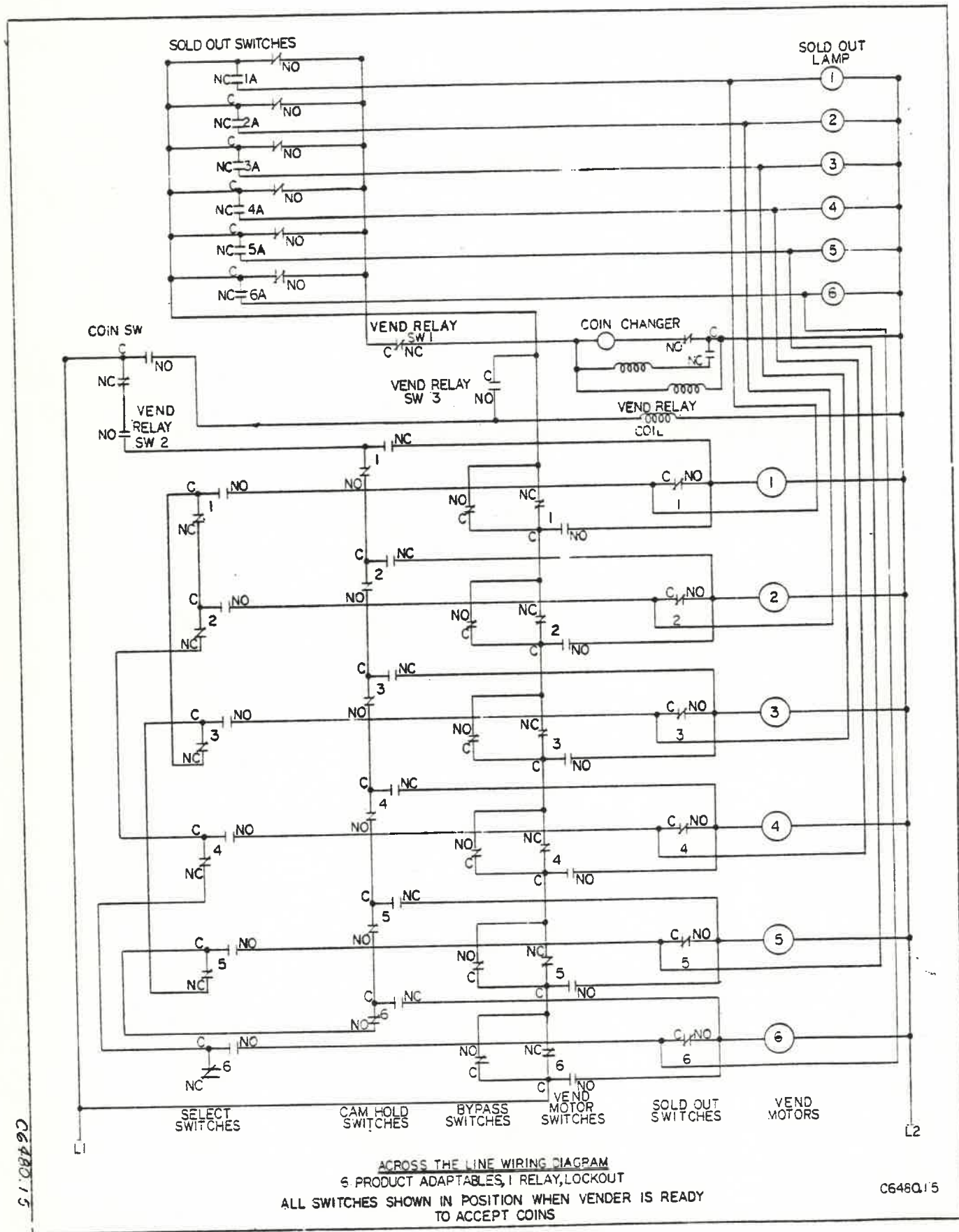
DCB300/174-6
 Height: 66-5/16
 Width: 37-1/16
 Depth: 26
 Shipping Wt: 624 lbs.
 Capacity:
 Can, 12 oz. - 312
 Bottle, Regular - 180

DCB348/204-6
 Height: 72
 Width: 37-1/16
 Depth: 26
 Shipping Wt: 670 lbs.
 Capacity:
 Can, 12 oz. - 360
 Bottle, Regular - 210

DCB420/240-6
 Height: 79-1/2
 Width: 37-1/16
 Depth: 26
 Shipping Wt: 716 lbs.
 Capacity:
 Can, 12 oz. - 432
 Bottle, Regular - 246

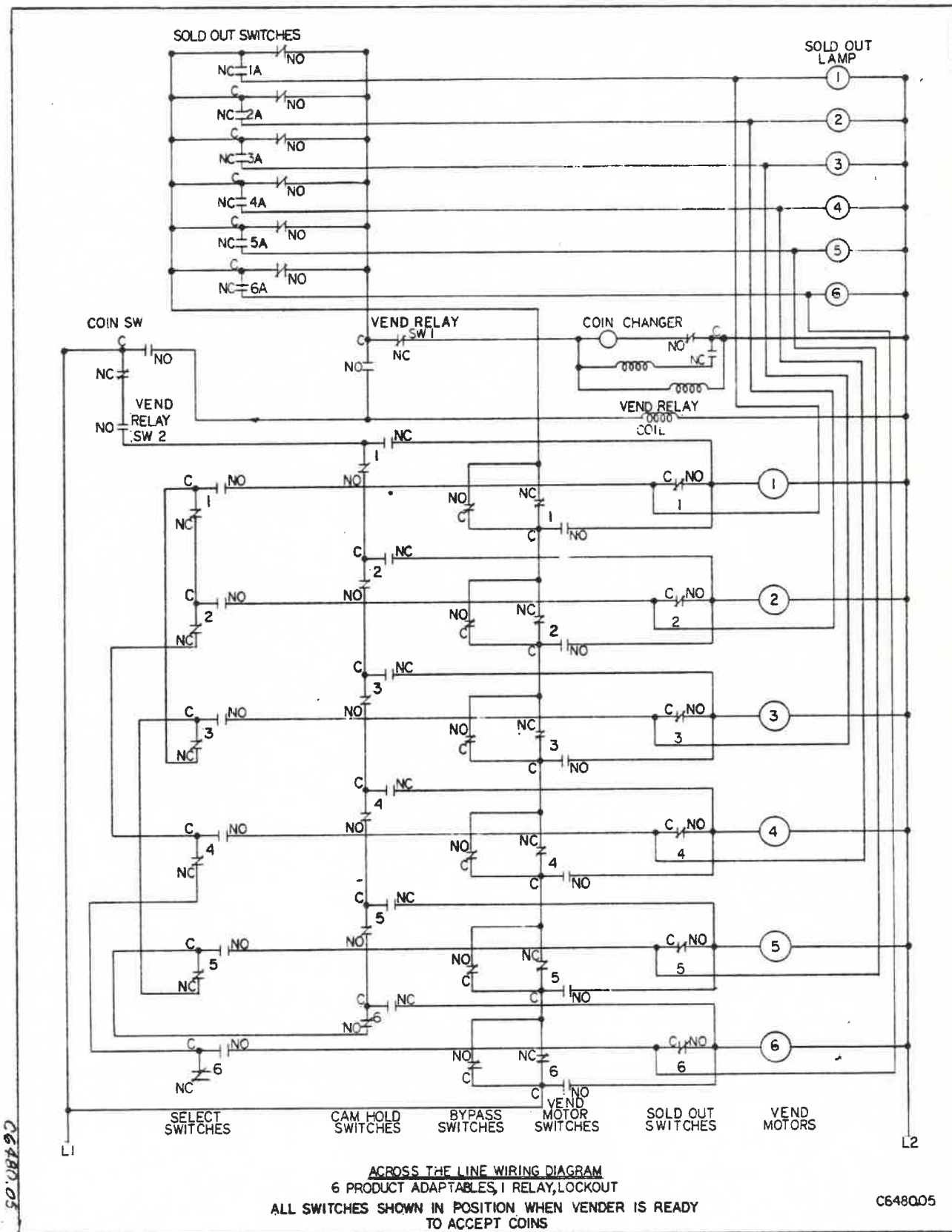
C O N T E N T S

Wiring Diagrams 4
Parts and Price List 8
How To Correct Common Vending Troubles 33

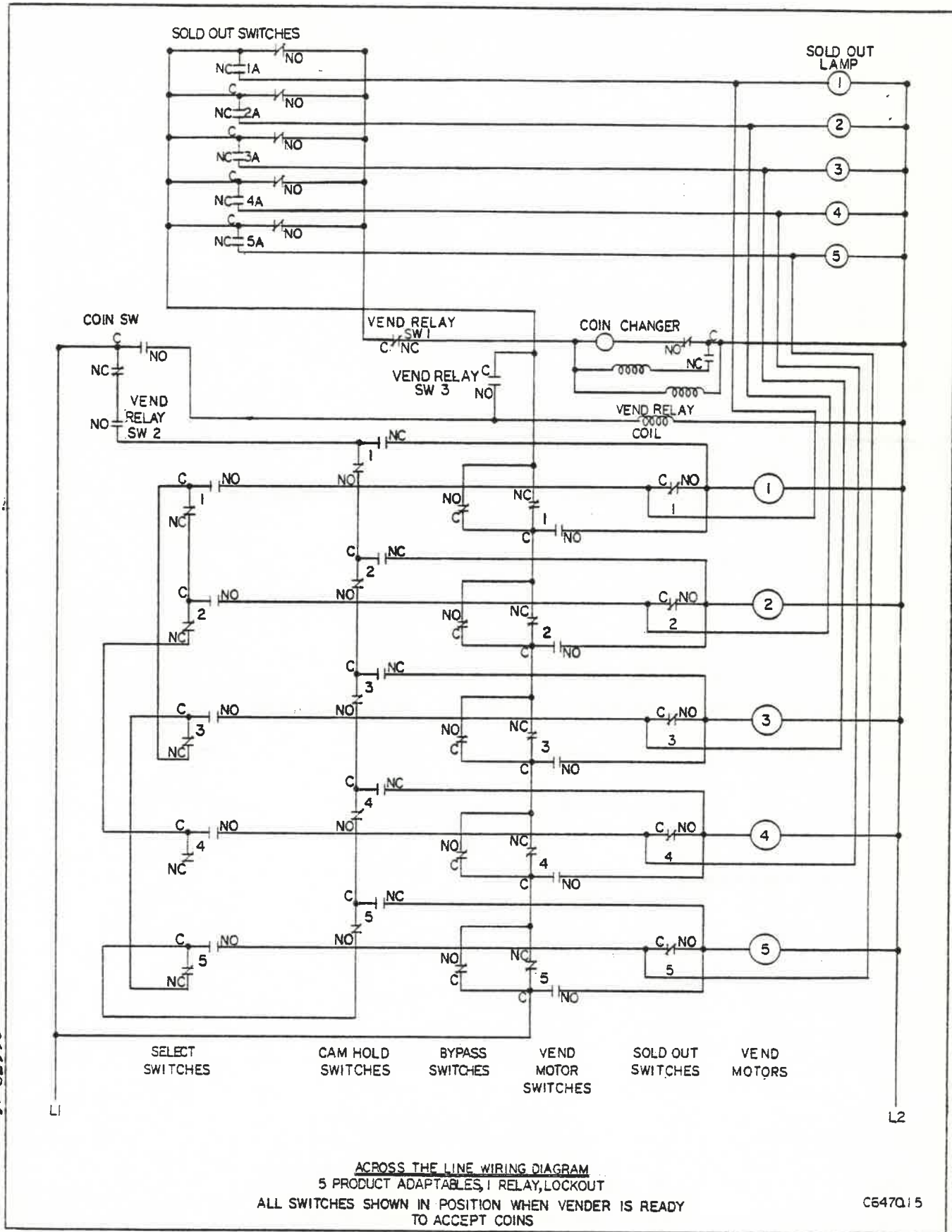


C648Q15

C648Q15



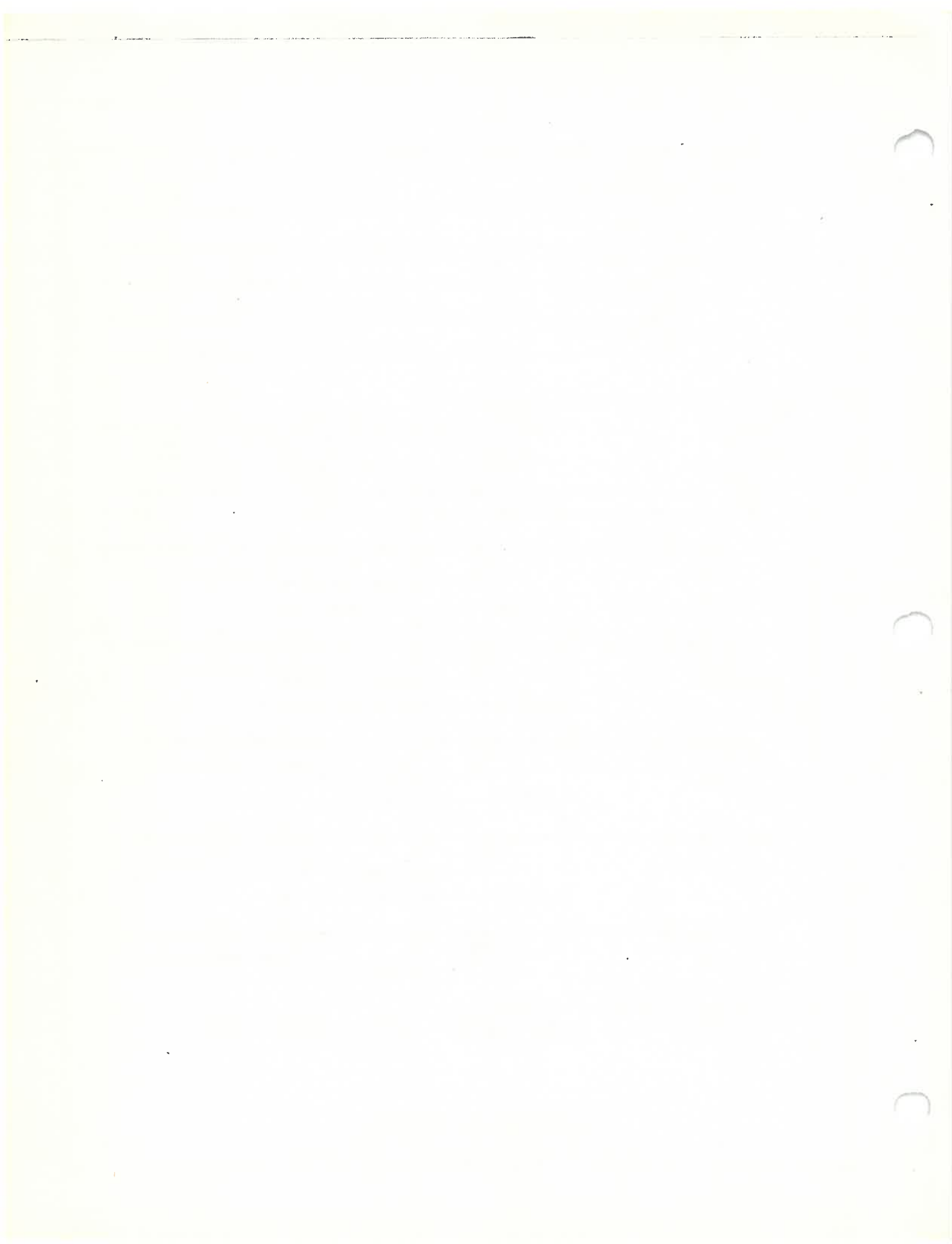
DIXIE-NARCO

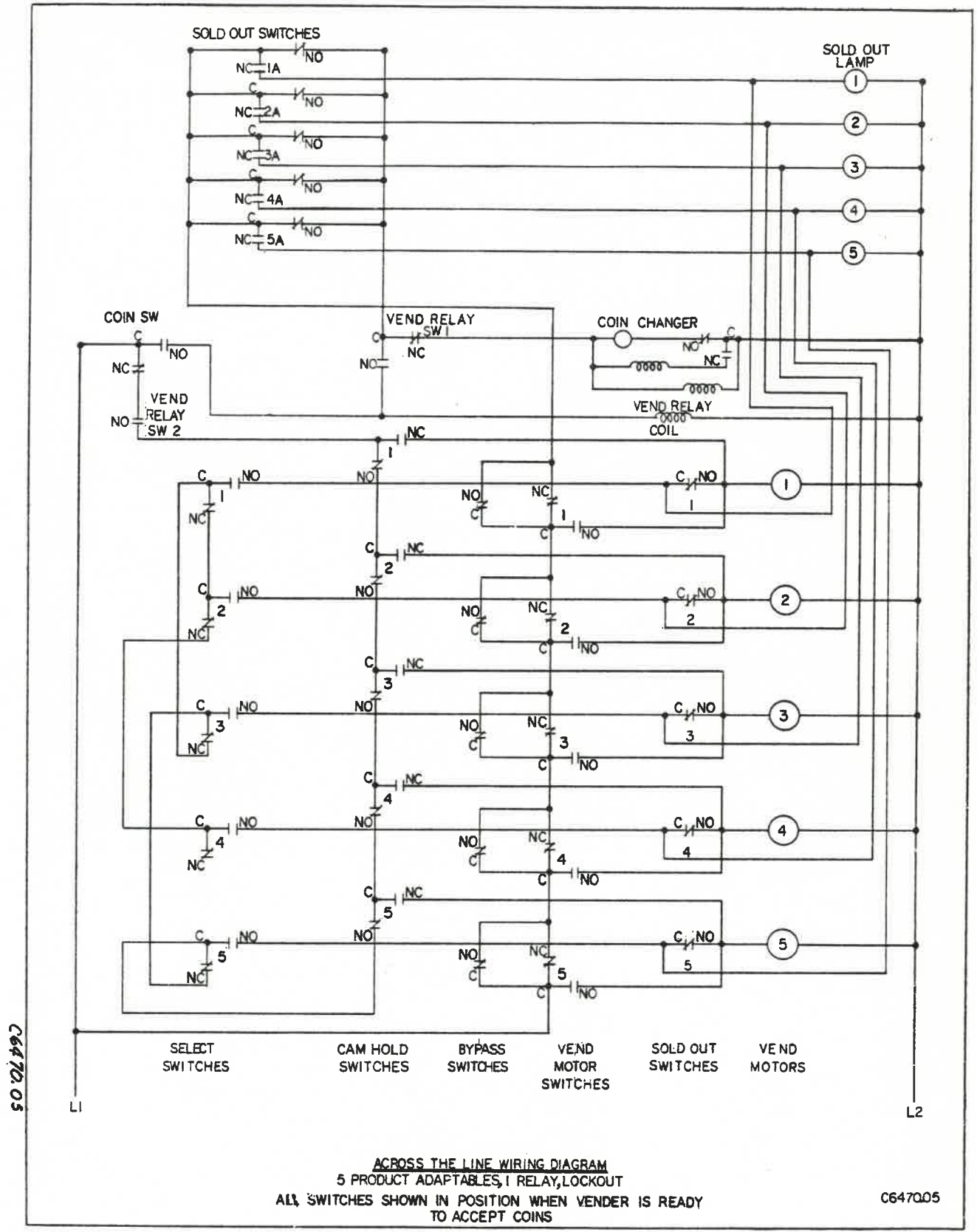


ACROSS THE LINE WIRING DIAGRAM
 5 PRODUCT ADAPTABLES, 1 RELAY, LOCKOUT
 ALL SWITCHES SHOWN IN POSITION WHEN VENDER IS READY
 TO ACCEPT COINS

C6470.15

C6470.15

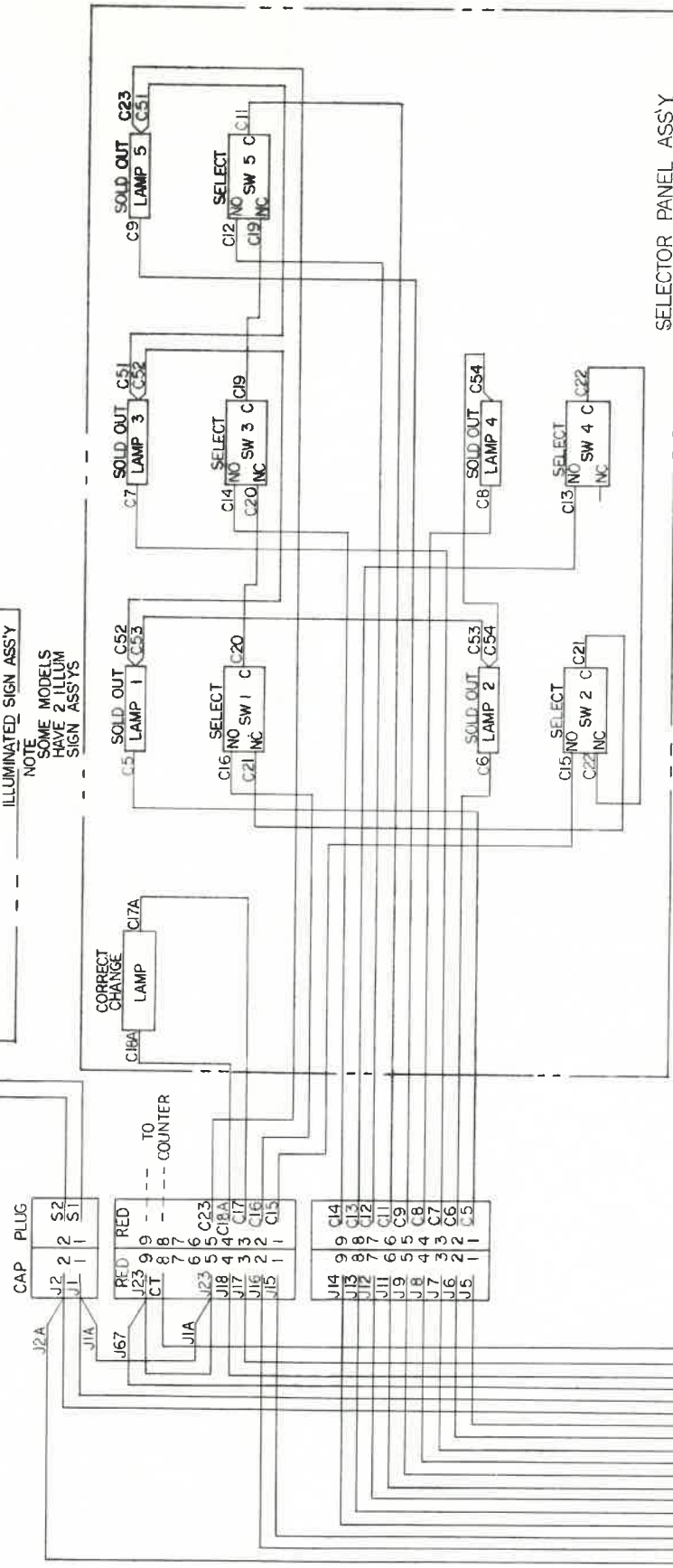




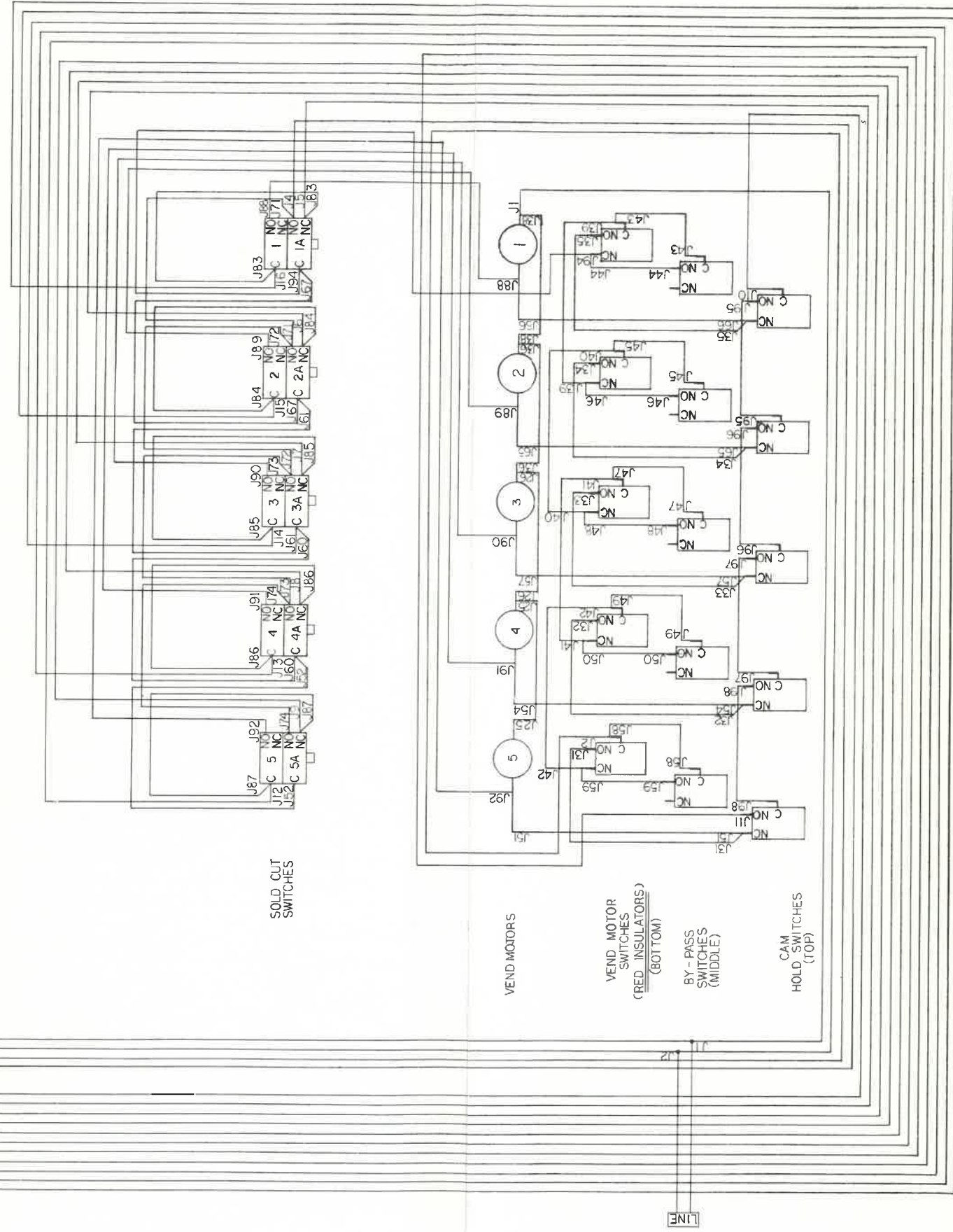
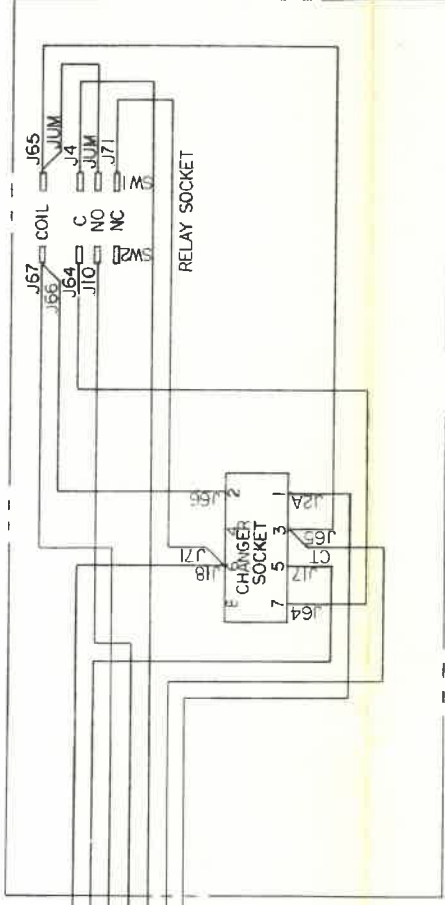
C647005

C647005

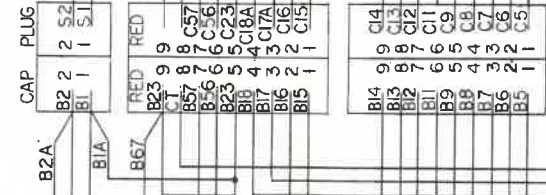
ON ALL PLUGS & CAPS
PIN 1 IS LOCATED ADJACENT
TO THE CORNER WITH
A RIB
EXAMPLES :



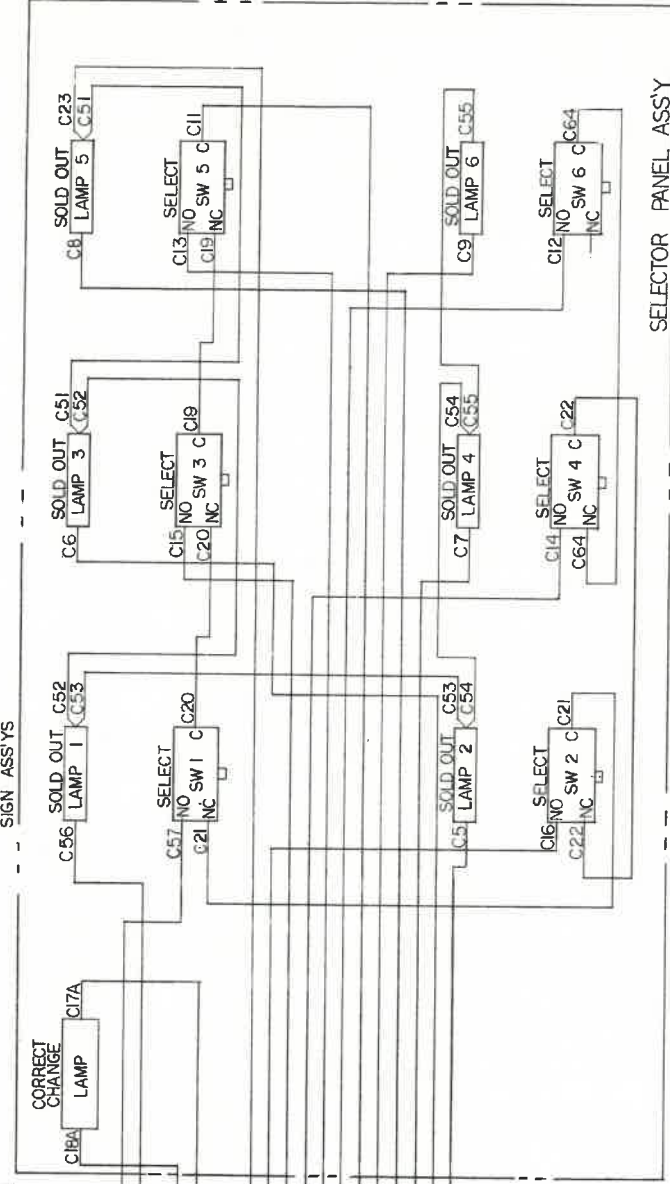
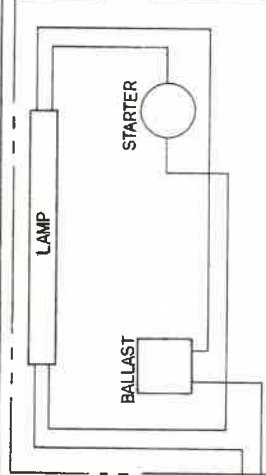
SELECTOR PANEL ASSY



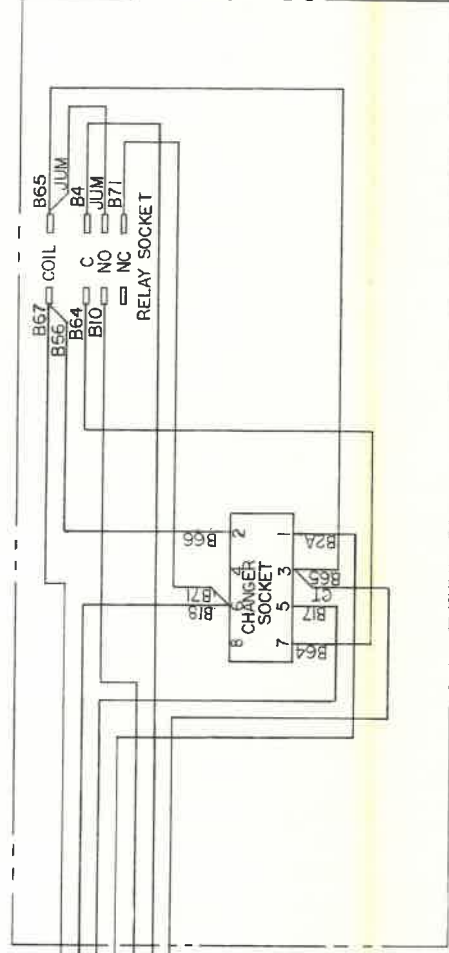
ON ALL PLUGS & CAPS
PIN 1 IS LOCATED ADJACENT
TO THE CORNER WITH
A RIB
EXAMPLES:



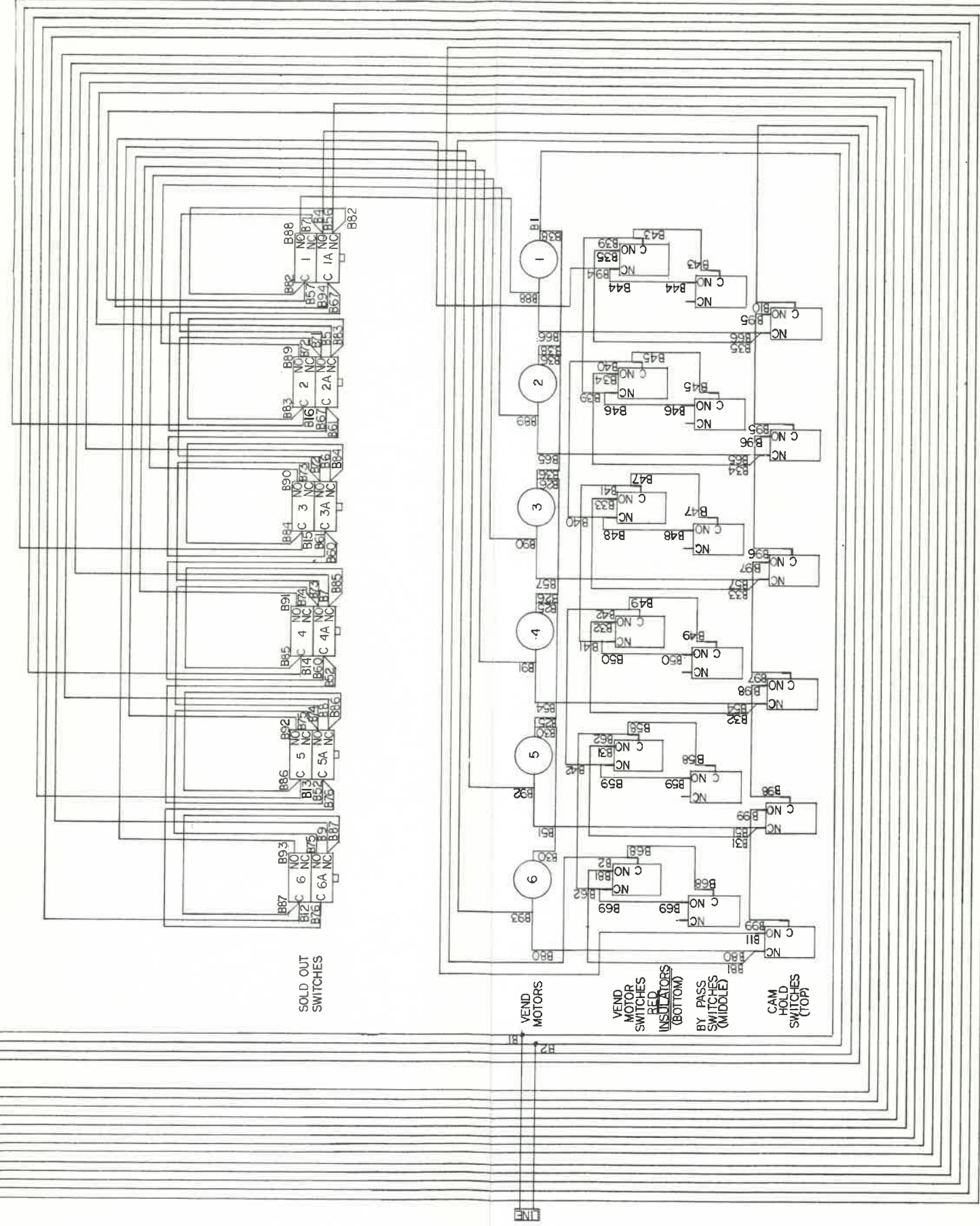
ILLUMINATED SIGN ASSY
NOTE: SOME MODELS
HAVE 2 ILLUM.
SIGN ASSYS



SELECTOR_PANEL_ASSY



6.1



1

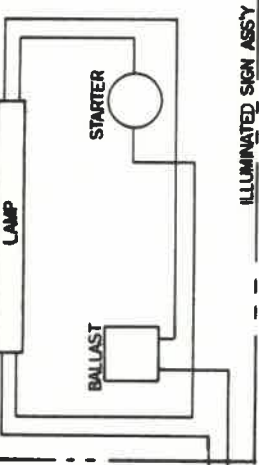
2

3

NOTE
ON 5-WAY CAPS AND
PLUGS NUMBER 1 IS
AT CORNER WITH RIB
AS VIEWED FROM
WIRE INSERTION SIDE

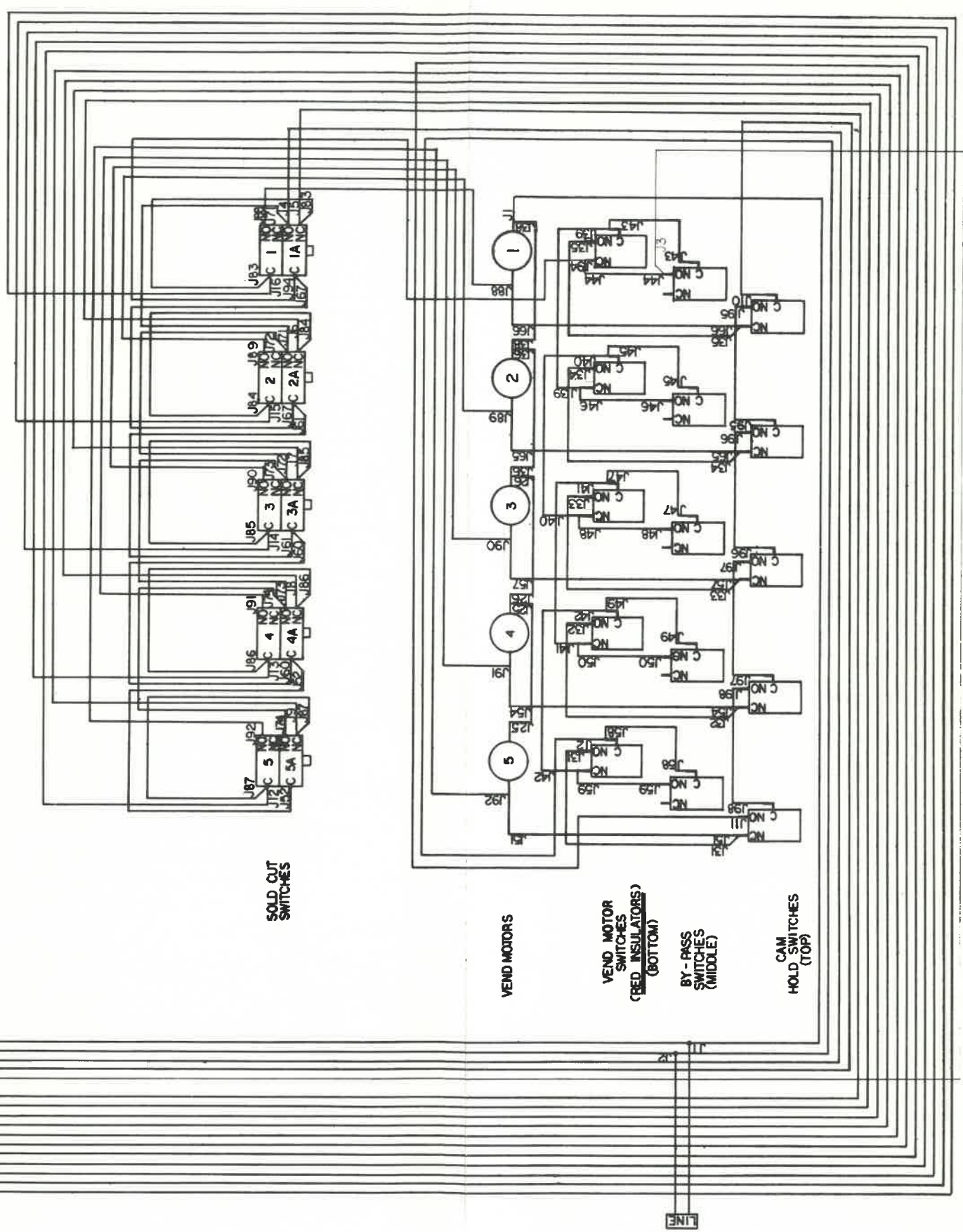
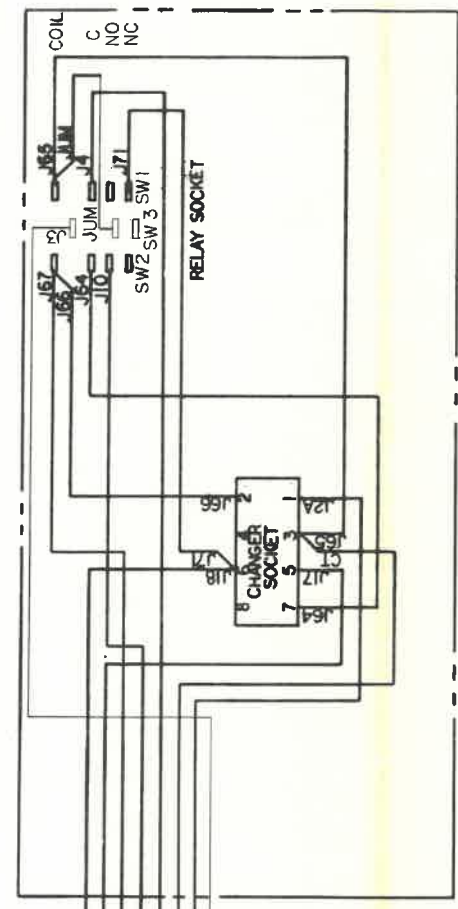
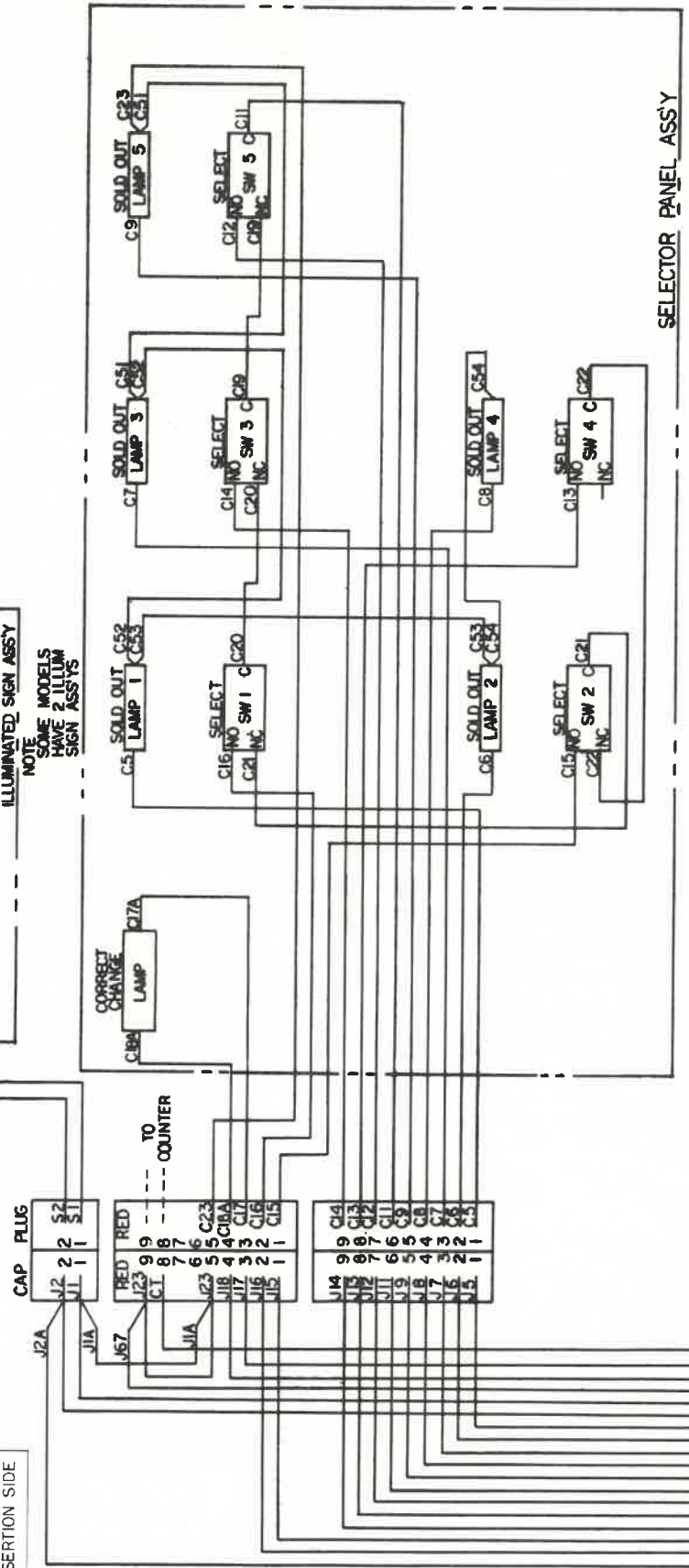
①②③	④⑤⑥
⑦⑧⑨	⑩⑪⑫

CAP PLUG
AS VIEWED FROM
WIRE INSERTION SIDE



PATENT NOTICE
THIS DEVICE IS MANUFACTURED UNDER ONE OR
MORE OF THE FOLLOWING U.S. PATENTS:

3,115,274	3,463,365	4,019,650
3,144,965	3,464,589	4,056,400
3,187,941	3,680,937	4,096,621
3,270,917	3,702,164	4,044,877
3,367,536		

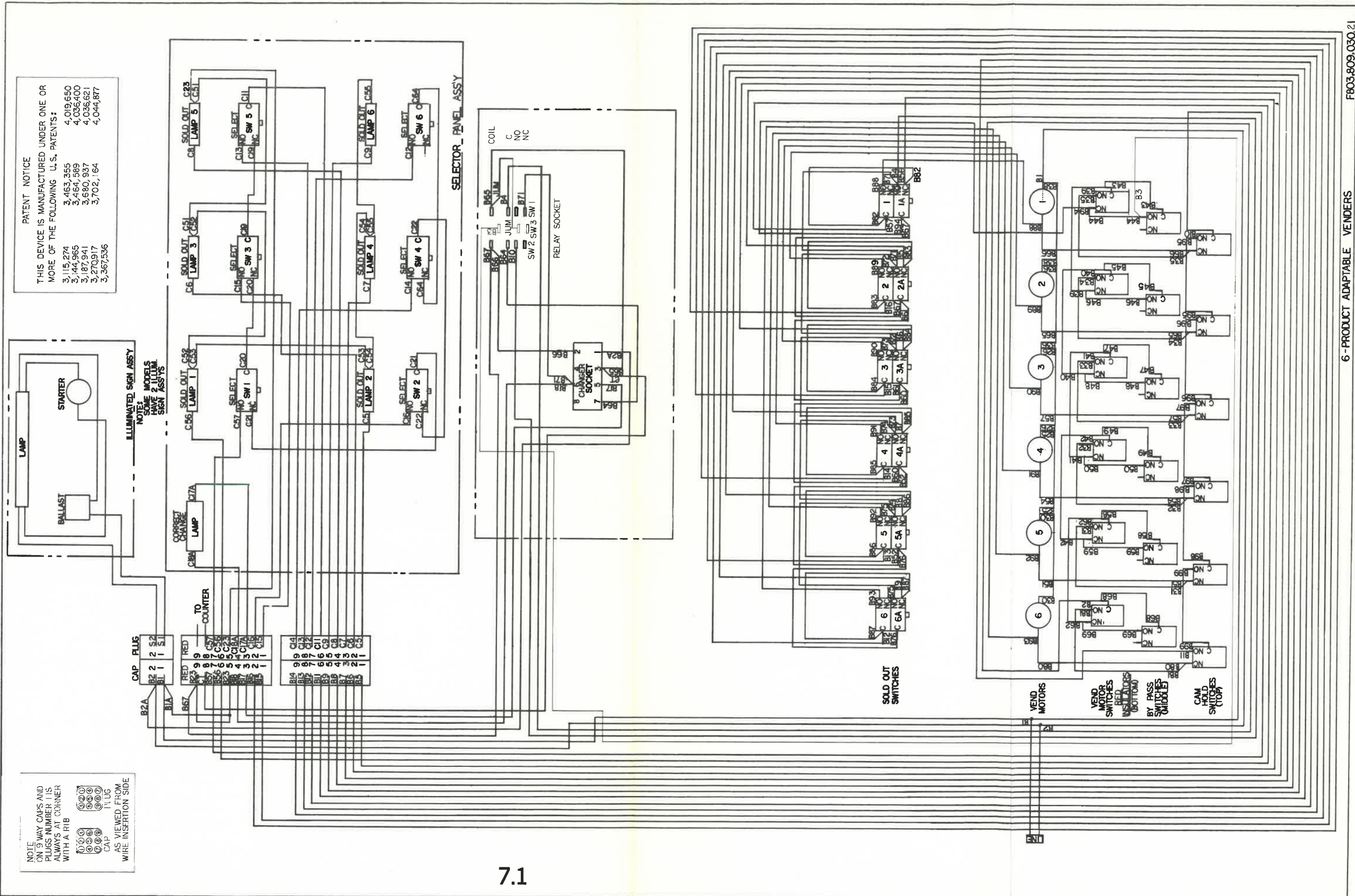


NOTE
ON 5 WAY CAPS AND
PLUGS NUMBER 1 IS
ALWAYS AT CORNER
WITH A RIB

AS VIEWED FROM
WIRE INSERTION SIDE

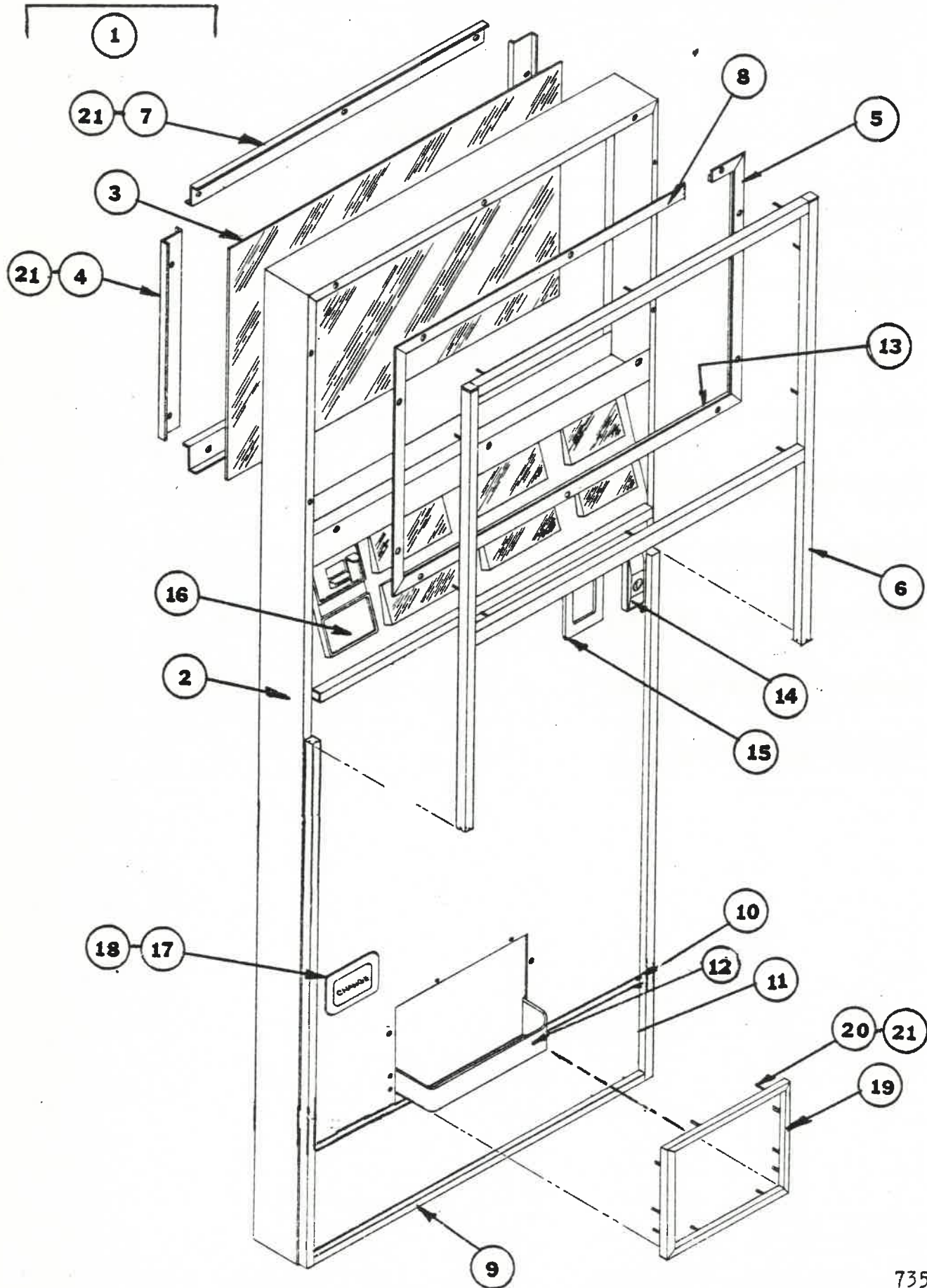
PATENT NOTICE
THIS DEVICE IS MANUFACTURED UNDER ONE OR
MORE OF THE FOLLOWING U.S. PATENTS:

3,115,274	3,463,355	4,019,650
3,144,965	3,464,589	4,036,400
3,187,941	3,680,937	4,036,621
3,270,917	3,702,164	4,044,877
3,967,536		



PARTS AND PRICE LIST CONTENTS

Main Door	10
Interior Door Parts	14
Inner Door	16
Selector Panel	20
Wiring Harness - Door and Cabinet	22
Hinges and Handles	24
Pull-Out Handle - National	26
Cabinet and Vend Mechanism	28
Refrigeration System	32

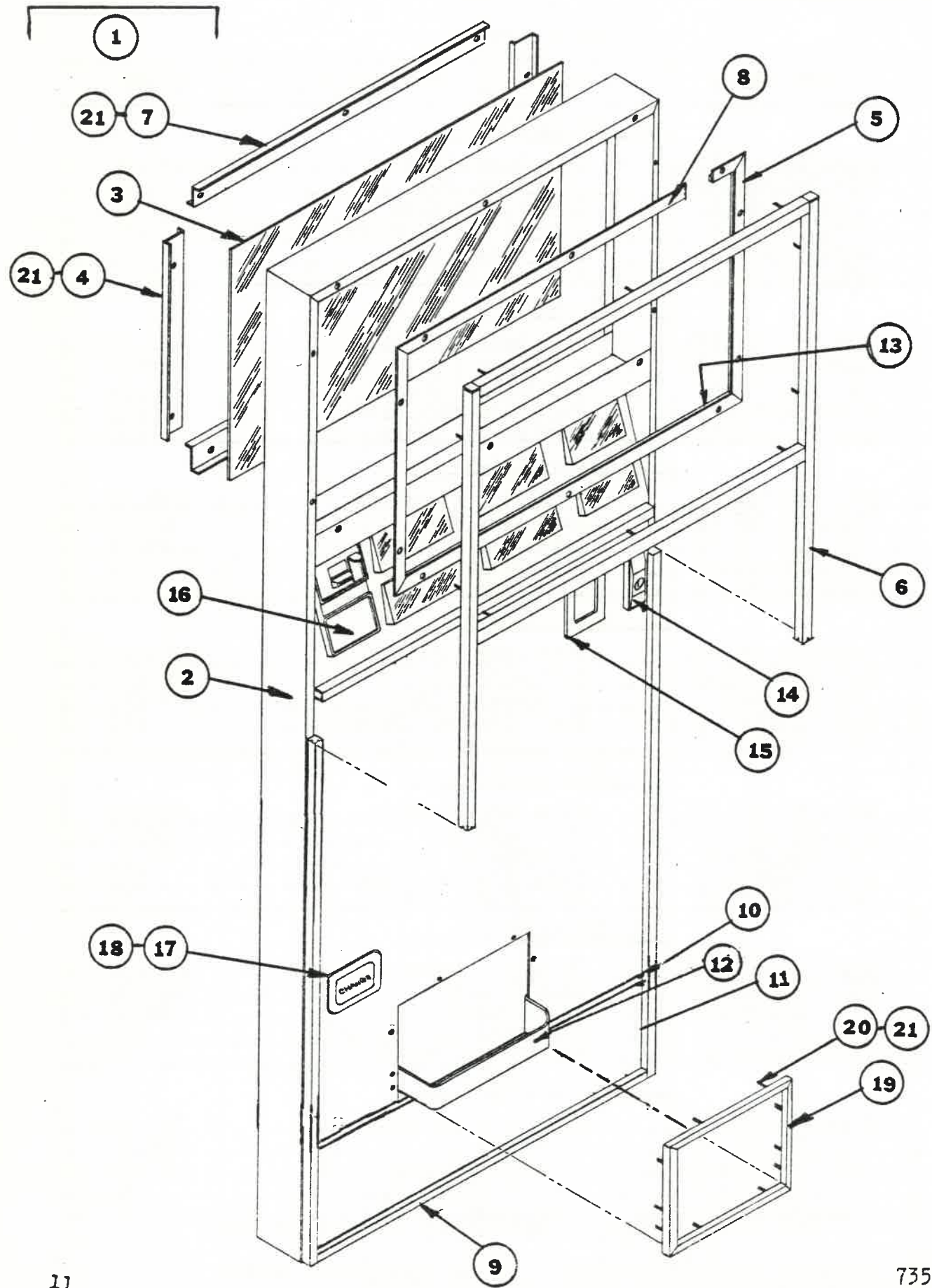


MAIN DOOR

ITEM NO.	PART NUMBER	PART NAME AND DESCRIPTION	PRICE
DCB170/100-5			
1	D214.050.201.33C	Main Door Assembly	\$ 240.00
2	D214.050.300.43C	Main Door, W/A	80.00
3	805.001.830.01	Illuminated Sign	17.81
4	B207.050.020.13	Sign Retainer, Sides	.36
5	A208.050.240.23	Sign Frame, Side	.41
6	A801.602.700.01	Vertical trim	2.35
DCB250/145-5			
1	D214.050.201.33B	Main Door Assembly	248.00
2	D214.050.300.43B	Main Door W/A	88.00
3	805.001.830.01	Illuminated Sign	17.81
4	B207.050.020.13	Sign Retainer, Sides	.36
5	A208.050.240.23	Sign Frame, Sides	.41
DCB290/170-5			
1	D214.050.201.33D	Main Door Assembly	256.00
2	D214.050.300.43D	Main Door W/A	96.00
3	805.002.130.01	Illuminated Sign	38.10
4	A215.050.060.03	Sign Retainer, Sides	.53
5	A216.050.030.03	Sign Frame, Sides	.80
DCB350/200-5			
1	D214.050.201.33A	Main Door Assembly	264.00
2	D214.050.300.43A	Main Door W/A	104.00
3	805.001.840.01	Illuminated Sign	32.95
4	B214.050.030.23	Sign Retainer, Sides	.53
5	A214.050.020.13	Sign Frame, Sides	.80
DCB300/174-6			
1	D211.050.201.73C	Main Door Assembly	272.00
2	D211.050.300.63C	Main Door W/A	112.00
3	805.001.850.01	Illuminated Sign	21.21
4	A209.050.010.23	Sign Retainer, Sides	.53
5	A209.050.030.13	Sign Frame, Sides	.80
DCB348/204-6			
1	D211.050.201.73B	Main Door Assembly	280.00
2	D211.050.300.63B	Main Door W/A	120.00
3	805.001.860.01	Illuminated Sign	26.92
4	B210.050.010.13	Sign Retainer, Sides	.53
5	A210.050.020.13	Sign Frame, Sides	.80
DCB420/240-6			
1	D211.050.201.73A	Main Door Assembly	288.00
2	D211.050.300.63A	Main Door W/A	128.00
3	805.001.870.01	Illuminated Sign	37.90
4	B211.050.020.13	Sign Retainer, Sides	.40
5	B211.050.030.03	Sign Frame, Sides	.80

WHEN ORDERING TRIM, SPECIFY SILVER OR BLACK FINISH

WHEN ORDERING PARTS, INDICATE MODEL # AND SERIAL # OF VENDER.
ALL PRICES ARE SUBJECT TO CHANGE WITHOUT NOTICE.



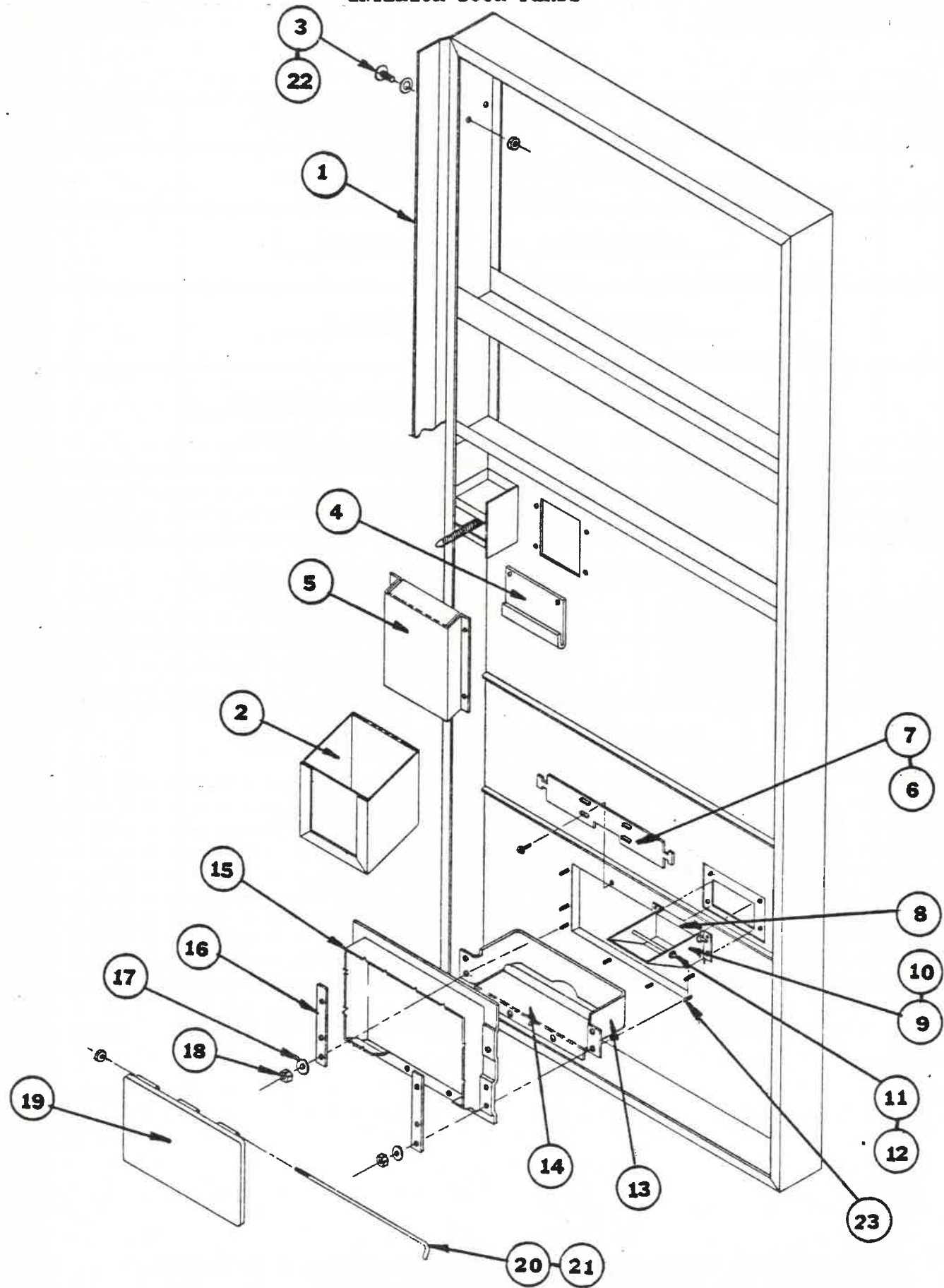
MAIN DOOR

ITEM NO.	PART NUMBER	PART NAME AND DESCRIPTION	PRICE
		DCB250/145-5 and DCB300/174-6	
6	A801.602.740.01	Vertical Trim	\$
		DCB290/170-5 and DCB348/204-6	
6	A801.602.750.01	Vertical Trim	
		DCB350/200-5 and DCB420/246-6	
6	A801.602.730.01	Vertical Trim	
		ALL DIXIE-NARCO 5-PRODUCT RED CAM ADAPTABLES	
7	B207.050.010.23	Sign Retainer, Top & Bottom	---
8	B208.050.250.13	Sign Frame, Top & Bottom	---
9	A801.602.690.01	Horizontal Trim	---
10	A801.602.520.01	Kickplate Divider Strip	---
11	C207.050.070.73	Kickplate	---
		ALL DIXIE-NARCO 6-PRODUCT RED CAM ADAPTABLES	
7	B209.050.020.23	Sign Retainer, Top & Bottom	---
8	B211.050.040.13	Sign Frame, Top & Bottom	---
9	A801.602.680.01	Horizontal Trim	---
10	A801.602.530.01	Kickplate Divider Strip	---
11	C211.050.070.83	Kickplate	---
		ALL DIXIE-NARCO RED CAM ADAPTABLES	
12	B801.303.520.21	Discharge Member	---
13	903.600.410.01	Gasket (Specify model)	---
14	A801.501.860.31	Pull Out Handle (complete)	---
15	B801.303.500.41	Bezel, Bottle Opener	---
16	213.011.600.04	Coin Insert Assembly	---
17	B801.303.490.51	Bezel, Coin Return Cup	---
18	900.300.110.01	Screw, S/M #6 x 1/4	---
19	B801.602.660.01	Trim, Delivery Port	---
20	A900.400.350.31	Tee Bolt, #8-32 x 3/4	---
21	900.800.500.01	Keys Nut	---

WHEN ORDERING TRIM, SPECIFY SILVER OR BLACK FINISH

WHEN ORDERING PARTS, INDICATE MODEL # AND SERIAL # OF VENDER.
ALL PRICES AND SUBJECT TO CHANGE WITHOUT NOTICE.

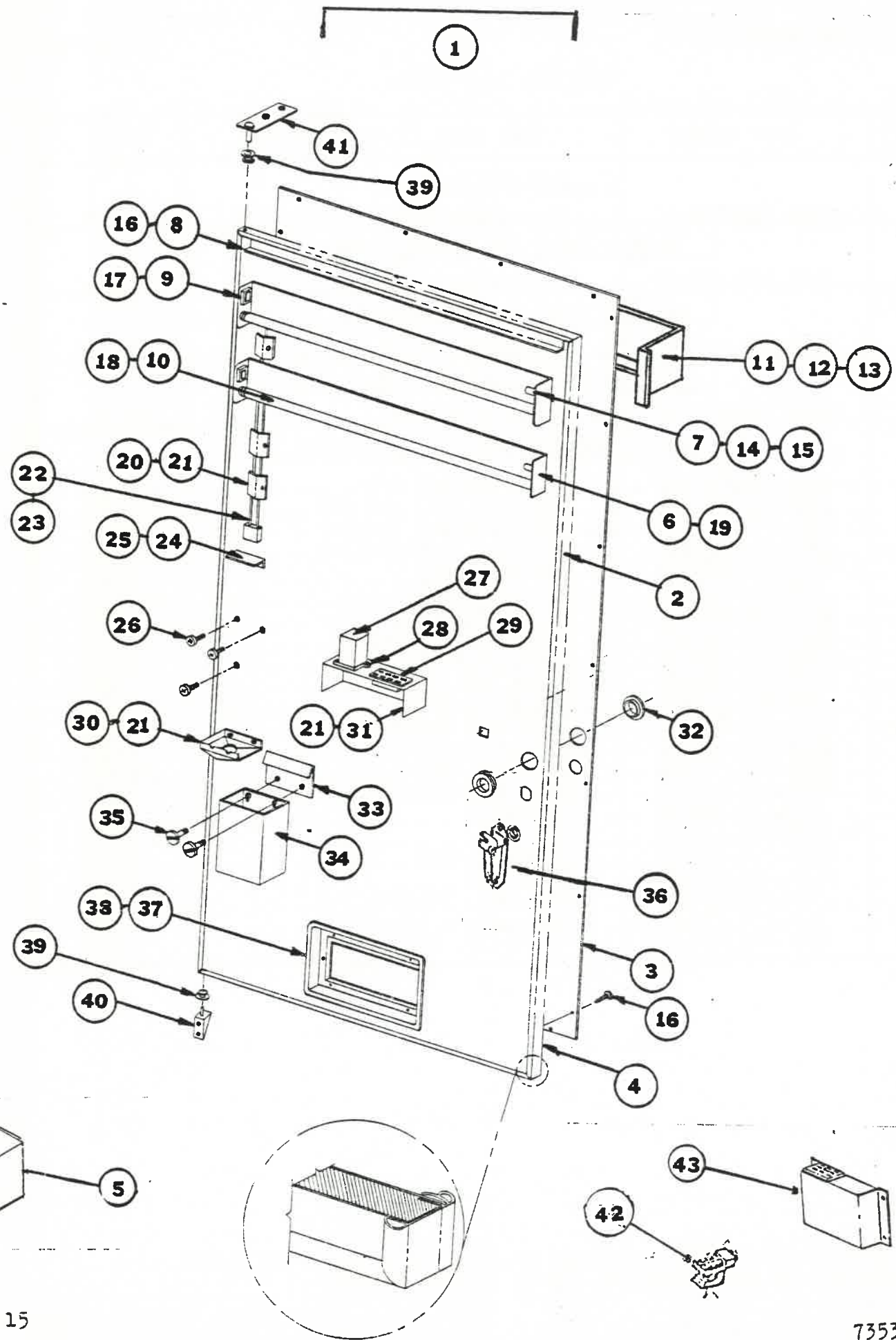
INTERIOR DOOR PARTS



INTERIOR DOOR PARTS

ITEM NO.	PART NUMBER	PART NAME AND DESCRIPTION	PRICE
		DCB170/100-5	
1	C168,050,330.93	Protective Plate	\$ 16.38
		DCB250/145-5 and DCB300/174-6	
1	C166,150,330.83	Protective Plate	16.38
		DCB290/170-5 and DCB348/246-6	
1	C165,150,330.83	Protective Plate	16.38
		DCB350/200-5 and DCB420/240-6	
1	C164,150,331.03	Protective Plate	16.38
		ALL DIXIE-NARCO RED CAM ADAPTABLES	
2	B211,051,400.03	Crown Catcher S/A	2.37
3	900,201,200.01	Carriage Bolt and Nut	.07
4	A211,050,230.23	Hanger, Crown Catcher	1.19
5	B73,052,161.23	Housing, Crown Puller	2.40
6	B172,050,031.33	Closure Strip	2.65
7	900,600,230.02	Screw, S/M #8 x 1/2	.05
8	B801,803,930.11	Coin Return Door	.59
9	B208,051,400.13	Coin Return Cup, S/A	3.73
10	900,300,110.01	Screw, S/M #6 x 1/4	.06
11	A900,501,820.01	Hinge Pin	.66
12	900,900,900.01	Retaining Ring	.07
13	B801,303,390.21	Discharge Member	6.39
14	A172,050,300.73	Bumper Assembly	1.99
15	D801,803,471.01	Delivery Chute	12.24
16	B169,050,370.93	Reinforcement Strip	.66
17	900,700,060.01	Washer	.05
18	900,800,500.01	Keys Nut	.05
19	C801,803,650.61	Delivery Door	4.34
20	A169,050,530.83	Hinge Pin	.66
21	900,800,580.01	Stop Nut, Elastic	.07
22	900,700,710.01	Lockwasher, 1/4-20	.08
23	A900,400,350.01	"T" bolts, 8-32 x 3/4	.08

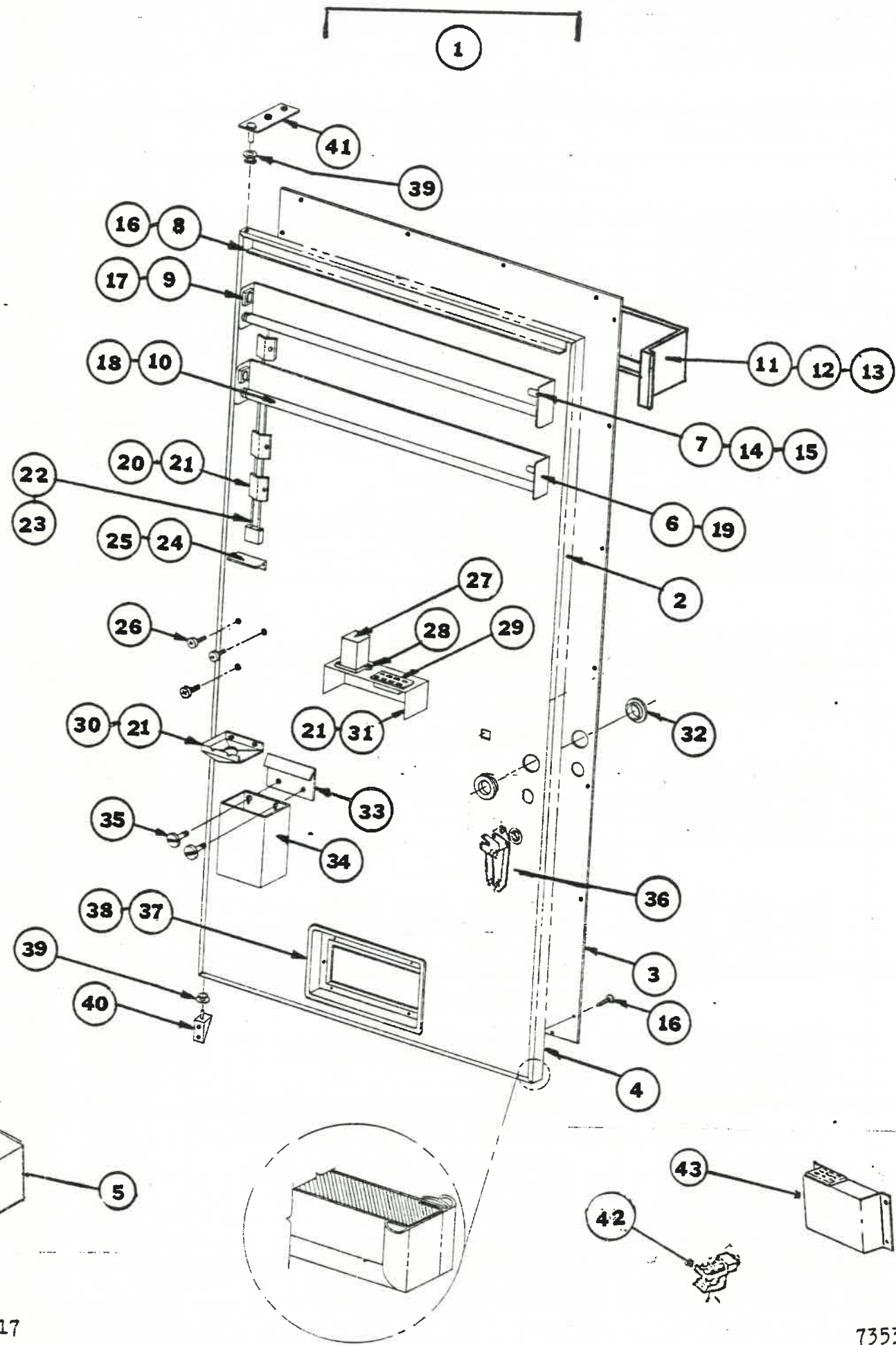
WHEN ORDERING PARTS, INDICATE MODEL # AND SERIAL # OF VENDER.
 ALL PRICES ARE SUBJECT TO CHANGE WITHOUT NOTICE.



INNER DOOR

ITEM NO.	PART NUMBER	PART NAME AND DESCRIPTION	PRICE
DCB170/100-5			
1	D214,050,100,83C	Assembly, Inner Door	\$ 72.00
2	D173,150,300,53	Foamed Assembly w/gasket	40.00
3	C173,150,020,73	Rear Panel	5.35
4	801,804,010,01	Gasket	4.02
5	B168,051,500,33	Cash Box - located in main door	3.73
DCB250/145-5			
1	D214,050,100,83B	Assembly, Inner Door	80.00
2	D172,150,300,53	Foamed Assembly w/gasket	40.00
3	C172,150,020,83	Rear Panel	5.60
4	801,804,020,01	Gasket	5.90
DCB290/170-5			
1	D214,050,100,83D	Assembly, Inner Door	88.00
2	D215,050,400,43	Foamed Assembly w/gasket	40.00
3	C215,050,050,43	Rear Panel	5.85
4	801,804,030,01	Gasket	5.37
DCB350/200-5			
1	D214,050,100,83A	Assembly, Inner Door	104.00
2	D172,150,300,53	Foamed Assembly w/gasket	40.00
3	C172,150,020,83	Rear Panel	5.60
4	801,804,020,01	Gasket	5.90
DCB300/174-6			
1	D211,150,100,73C	Assembly, Inner Door	112.00
2	D178,150,300,53	Foamed Assembly w/gasket	60.00
3	C178,150,020,73	Rear Panel	6.98
4	801,804,050,01	Gasket	8.86
DCB348/204-6			
1	D211,150,100,73B	Assembly, Inner Door	120.00
2	D177,150,300,53	Foamed Assembly w/gasket	65.00
3	C177,150,020,73	Rear Panel	7.23
4	801,804,060,01	Gasket	5.83
DCB420/240-6			
1	D211,150,100,73A	Assembly, Inner Door	136.00
2	D176,150,300,53	Foamed Assembly w/gasket	70.00
3	C176,150,020,63	Rear Panel	7.48
4	801,804,070,01	Gasket	9.42
ALL DIXIE- 5-PRODUCT RED CAM ADAPTABLES			
6	C154,050,101,43	Fluorescent Lamp Panel Assy.	39.89
7	904,800,060,01	Starter	.27
8	A172,150,090,03	Gutter	.30
9	904,400,030,01	Ballast	1.33
10	804,700,050,01	Fluorescent Lamp Panel	1.71

WHEN ORDERING PARTS, INDICATE MODEL # AND SERIAL # OF VENDER.
 ALL PRICES ARE SUBJECT TO CHANGE WITHOUT NOTICE.

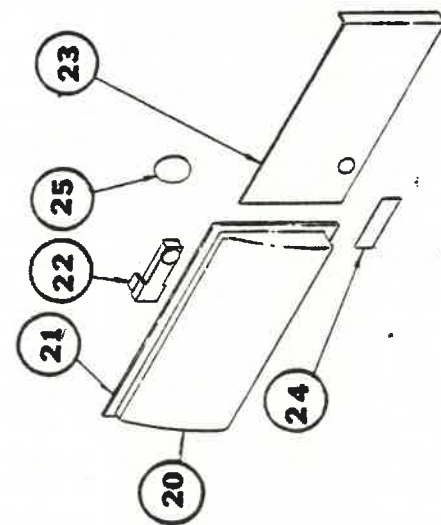
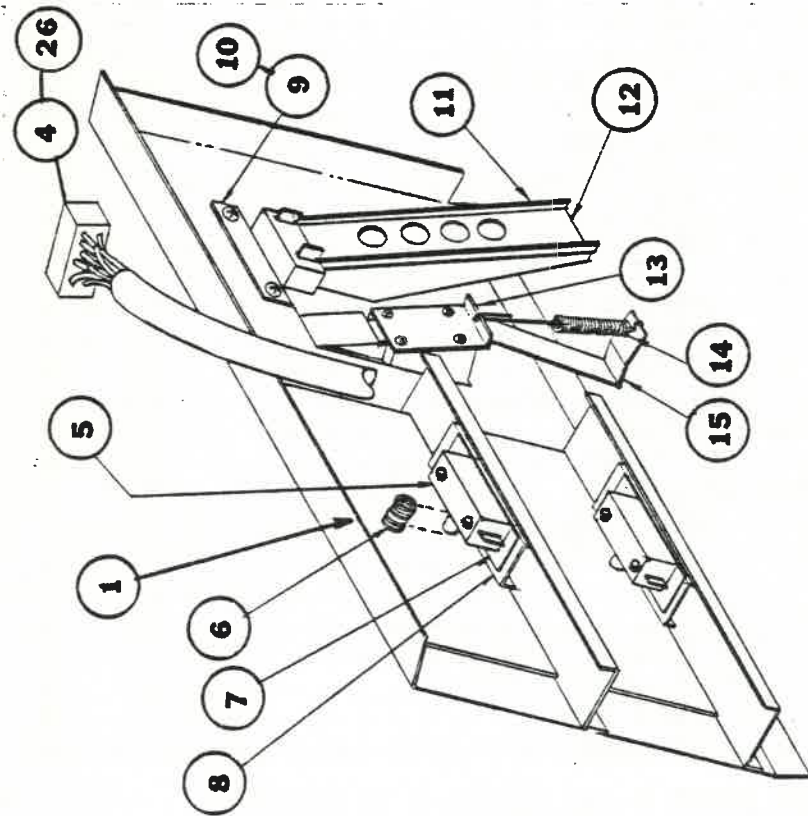
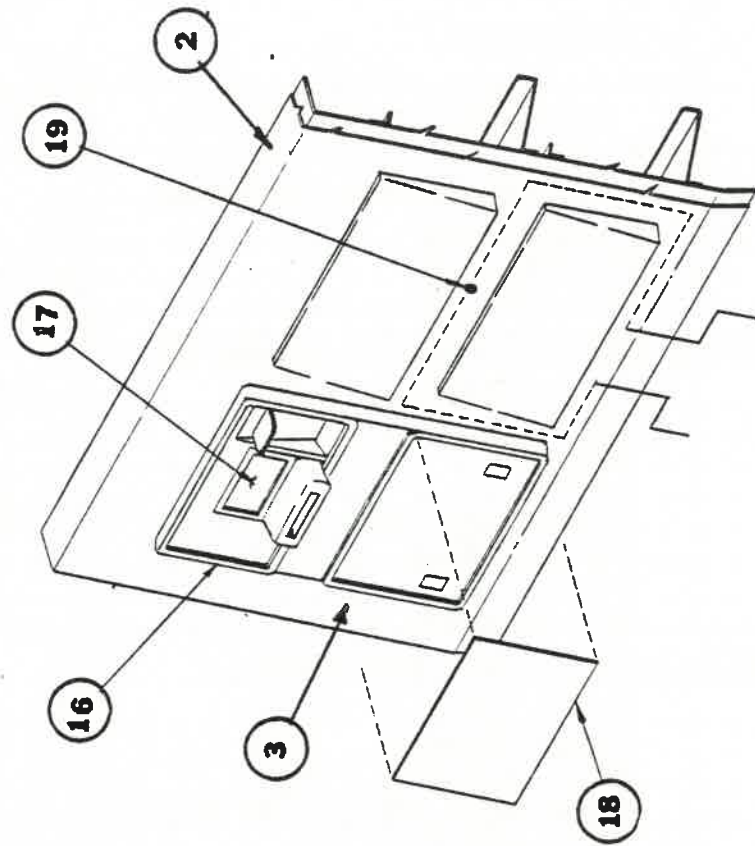


INNER DOOR

ITEM NO.	PART NUMBER	PART NAME AND DESCRIPTION	PRICE
ALL DIXIE-NARCO 5-PRODUCT RED CAM ADAPTABLES			
11		Pre-Cool Rack	
12		Pre-Cool Rack	
34	B176.151.100.13	Cash Box, W/A	\$ 4.75
ALL DIXIE-NARCO 6-PRODUCT RED CAM ADAPTABLES			
6	C166.161.901.03	Fluorescent Lamp panel	17.28
7	804.800.410.01	Starter	.80
8	A176.150.320.03	Gutter	.40
9	804.400.100.01	Ballast	1.59
10	804.700.150.01	Fluorescent Lamp	3.58
11		Pre-Cool Rack	
12		Pre-Cool Rack	
34	B176.151.100.13	Cash Box, W/A	4.75
ALL DIXIE-NARCO RED CAM ADAPTABLES			
13	900.300.040.01	Screw, S/M #8 x 3/4	.05
14	904.900.710.01	Starter socket	.27
15	900.300.340.01	Screw, S/M #8 x 1/2	.05
16	900.301.500.01	Screw, Self Drilling #8 x 1/2	.05
17	900.300.040.01	Screw, S/M #8 x 3/4	.05
18	904.901.230.01	Lamp Holder	.27
19	900.300.040.01	Screw, S/M #8 x 3/4	.05
20	A164.150.571.23	Wire Cover	.20
21	900.600.230.02	Screw, S/M #8 x 1/2	.05
22	A208.051.500.03	Sign Lead Assembly	.55
23	904.600.710.01	Mate-N-Lok Plug	.18
24	A176.150.210.33	Angle, Coin Chute	.30
25	900.600.230.02	Screw, S/M #8 x 1/2	.05
26	900.201.220.11	Screw Machine, #8 x 3/4	.13
27	804.200.170.01	Relay, Plug In Type	3.72
28	904.600.620.01	Relay socket, plug-in type relay	.36
29	904.600.600.01	Coin Changer Socket	.60
30	B801.803.620.61	Change Hopper	1.33
31	B176.150.290.23	Bracket, Relay Box	2.60
32	901.901.360.01	Snap Bushing	.07
33	A176.150.240.13	Coin Deflector	.59
35	A900.500.260.01	Shoulder Screw	.40
36	A169.053.100.53	Burst Open Latch, S/A	1.99
37	C801.803.960.01	Frame, Discharge Port	2.97
38	901.100.460.01	Pop Rivet	.07
39	901.803.710.01	Nyliner	.17
40	A169.051.101.33	Bottom Hinge, inner door	1.32
41	A169.053.000.93	Top Hinge, inner door	1.32
42	804.200.140.01	Relay, open type	4.79
43	C213.050.800.03	Relay Box Assembly	7.25

WHEN ORDERING PARTS, INDICATE MODEL # AND SERIAL # OF VENDER.
ALL PRICES ARE SUBJECT TO CHANGE WITHOUT NOTICE.

SELECTOR PANEL



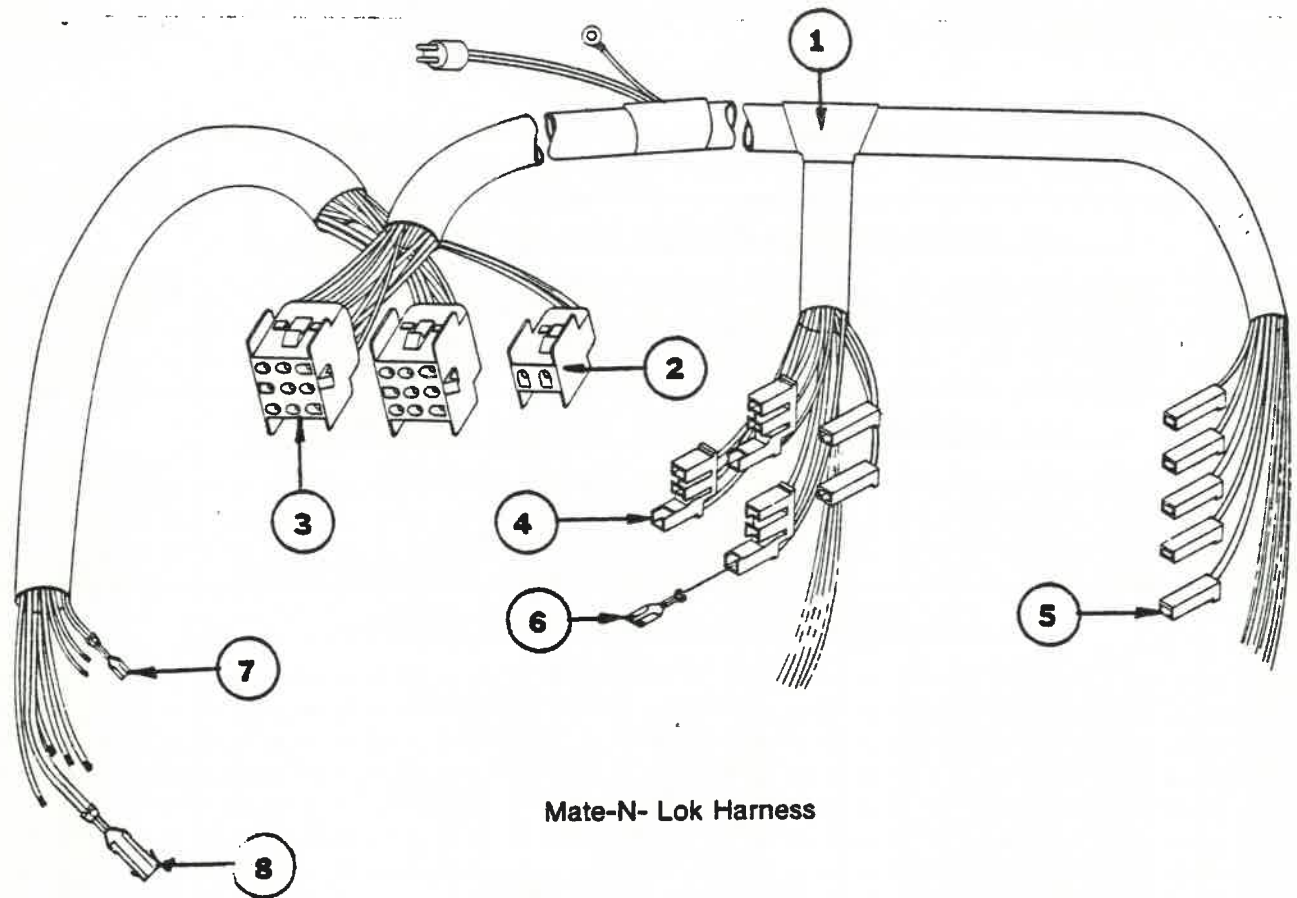
SELECTOR PANEL

ITEM NO.	PART NUMBER	PART NAME AND DESCRIPTION	PRICE
ALL DIXIE-NARCO 5-PRODUCT RED CAM ADAPTABLES			
1	D208,050,600.73	Selector Panel Assembly	\$104.24
2	C208,050,800.23	Selector Panel, W/A	26.60
3	D208,050,210.13	Cover, Selector Panel	5.94
4	C208,052,000.03	Wiring Harness, Selector Panel	12.76
ALL DIXIE-NARCO 6-PRODUCT RED CAM ADAPTABLES			
1	D211,050,600.63	Selector Panel Assembly	106.37
2	C211,050,800.13	Selector Panel W/A	29.26
3	D211,050,210.13	Cover, Selector Panel	7.31
4	C211,052,200.03	Wiring Harness - Selector panel	13.68
ALL DIXIE-NARCO RED CAM ADAPTABLES			
5	804,100,440.01	Select Switch	.87
6	A901,700,430.01	Spring, Select Switch	.07
7	905,800,400.01	Insulator - Switch	.05
8	A208,050,150.73	Support - Switch	.53
9	A143,051,220.73	Retainer - Coin Insert	.27
10	900,300,160.01	Screw, S/M #6 x 1/2	.06
11	C801,803,620.21	Coin Chute	.53
12	B801,803,630.01	Cover, Coin Chute	.27
13	A208,050,120.33	Retainer - Coin Plunger	.12
14	A901,700,630.01	Spring - Coin Plunger	.47
15	B801,303,510.11	Coin Return Plunger	1.70
16	D801,200,920.21	Coin Insert	4.27
17	A904,700,180.11	Correct Change Lamp	1.59
18	903,809,320.01	Instruction Label (Specify price)	.40
19	901,100,500.01	Blind Rivet	.05
20	A801,803,880.11	Select Button Assembly, #1	1.40
21	A801,803,820.01	Select Button Assy. 2 thru 6	2.10
22	804,700,210.01	Sold Out Lamp	.53
23	903,807,690.01	Flavor Strip (Specify Flavor)	.40
24	A903,805,040.01	Strip 12 oz. Cans	.16
25	903,806,020.01	Identification Label, 1 thru 6	.46
ALL DIXIE-NARCO 5-PRODUCT RED CAM ADAPTABLES			
26	C208,051,200.73	Wiring Harness, Selector Panel	10.63
ALL DIXIE-NARCO 6-PRODUCT RED CAM ADAPTABLES			
26	C211,051,200.73	Wiring Harness, Selector Panel	11.40

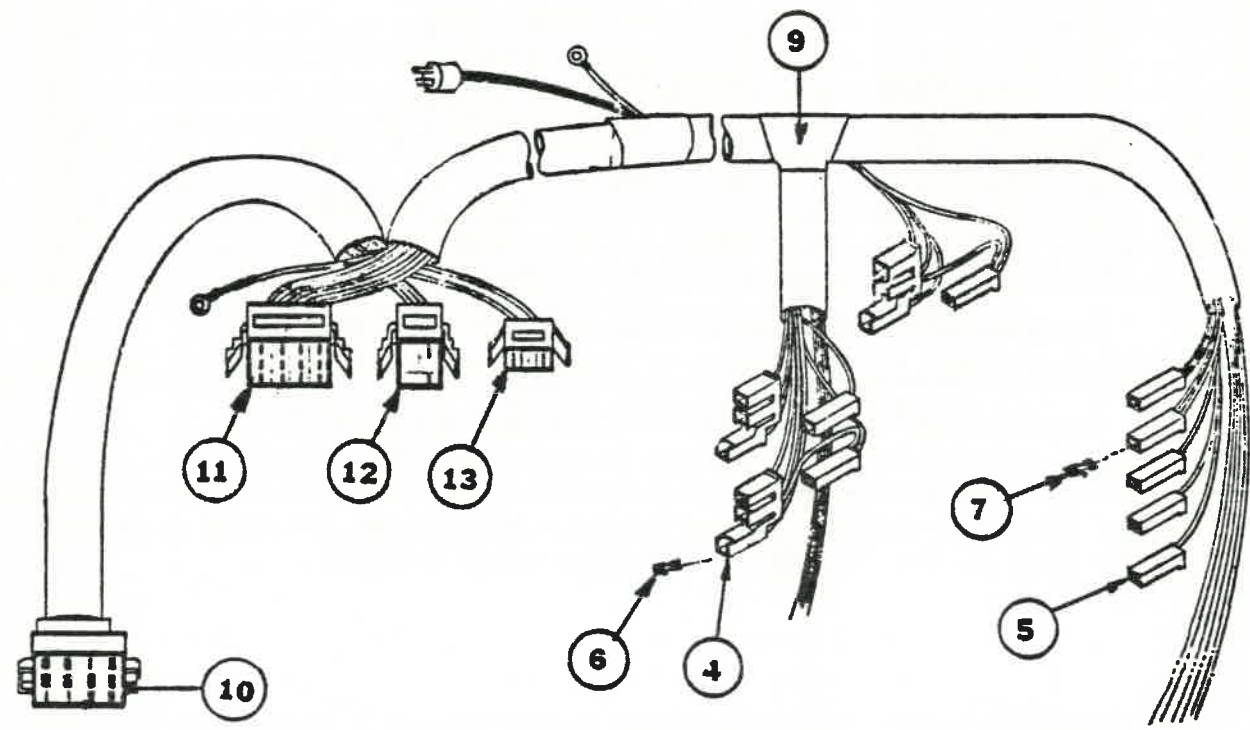
Order items 21 through 24 for Venders serialized 001-2106 & higher.
 Order item 26 for Venders serialized under 2052251.

WHEN ORDERING PARTS, INDICATE MODEL # AND SERIAL # OF VENDER.
 ALL PRICES ARE SUBJECT TO CHANGE WITHOUT NOTICE.

WIRING HARNESS - DOOR & CABINET



Mate-N- Lok Harness



Amp Lok Harness

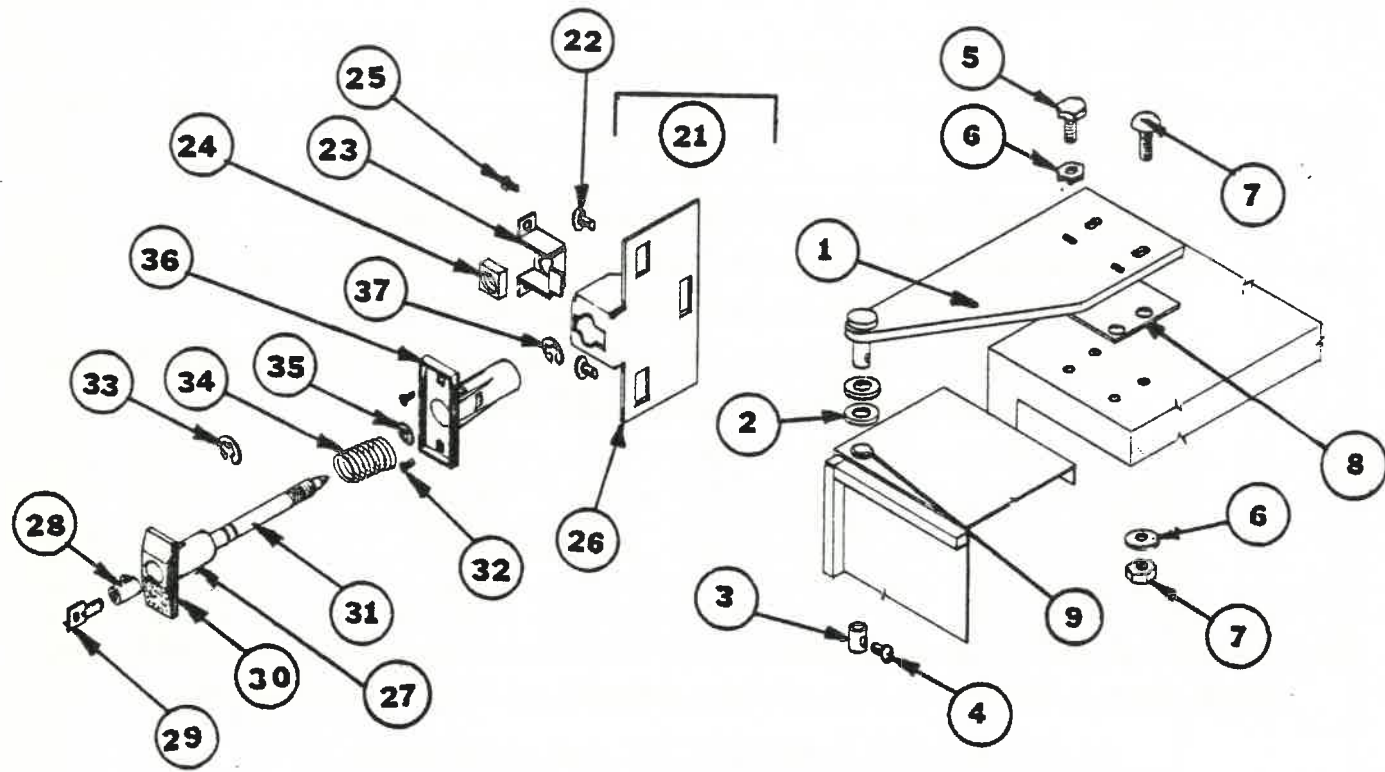
WIRING HARNESS - DOOR AND CABINET

ITEM NO.	PART NUMBER	PART NAME AND DESCRIPTION	PRICE
ALL DIXIE-NARCO 5-PRODUCT RED CAM ADAPTABLES			
1	D208,070,200.33	Wiring Harness, Door & Cabinet	\$ 33.24
ALL DIXIE-NARCO 6-PRODUCT RED CAM ADAPTABLES			
1	211,070,200.33	Wiring Harness, Door & Cabinet	33.24
ALL DIXIE-NARCO RED CAM ADAPTABLES			
2	904,600,700.01	Mate-N-Lok Cap, 2-way	.12
3	904,600,660.01	Mate-N-Lok Cap, 9-way	.17
4	904,600,560.01	Receptacle Housing (187)	.25
5	904,600,040.01	Receptacle Housing (250)	.08
6	904,600,520.01	Faston Receptacle (187)	.08
7	904,600,530.01	Faston Receptacle (187) 2 wire	.05
8	904,600,380.01	Faston Receptacle (250) 2 wire	.08
Order item 1 through 8 for venders serialized 2052001 & higher			
ALL DIXIE-NARCO 5-PRODUCT RED CAM ADAPTABLES			
9	172,070,600.53	Wiring Harness, Door & Cabinet	33.24
ALL DIXIE-NARCO 6-PRODUCT RED CAM ADAPTABLES			
9	164,070,601.53	Wiring Harness, Door & Cabinet	33.24
ALL DIXIE-NARCO RED CAM ADAPTABLES			
10	904,600,340.01	Amp Loc Cap, 12 way	.29
11	904,600,330.01	Amp Loc Plug, 12 way	.29
12	904,600,130.01	Amp Loc Plug, 6 way	.29
13	904,600,470.01	Amp Loc Plug, 3 way	.14

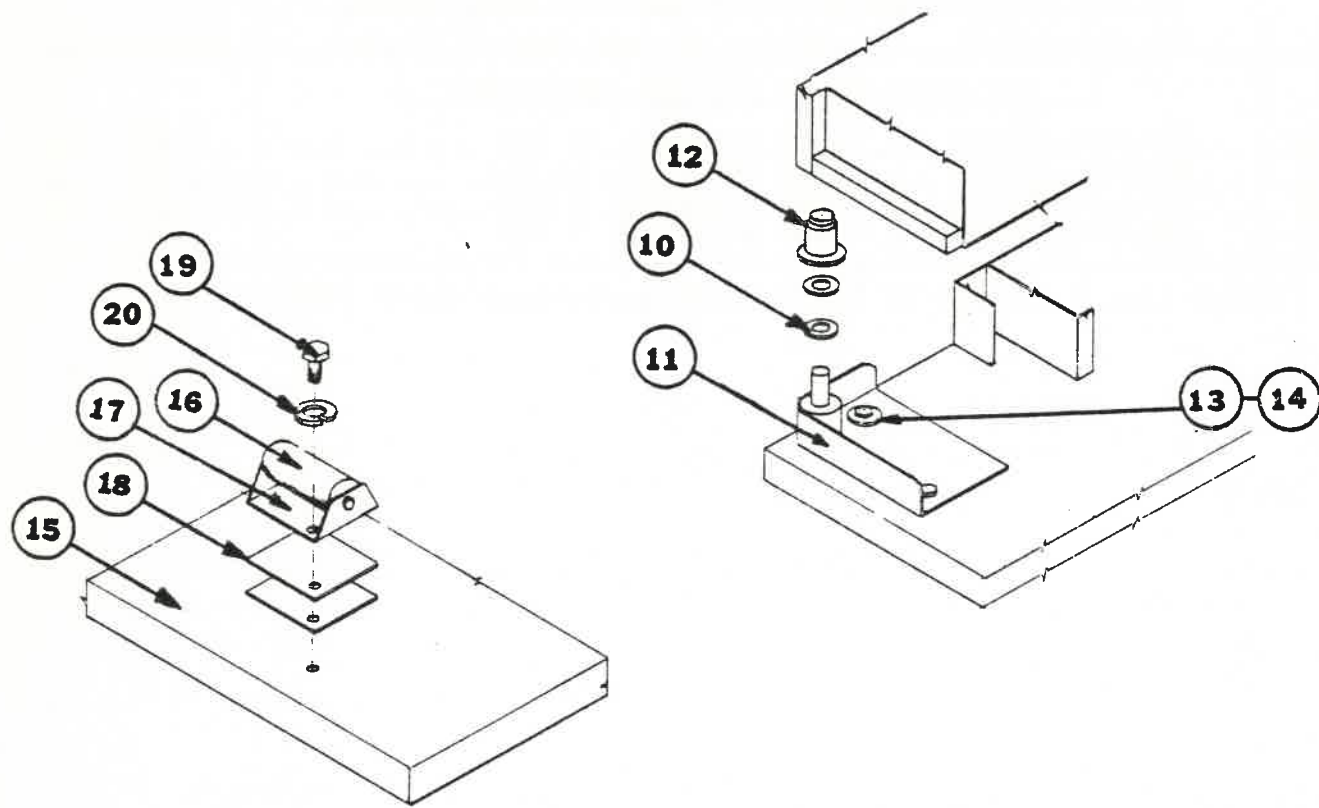
Order item 9 through 13 for venders serialized under 2052251

WHEN ORDERING PARTS, INDICATE MODEL # AND SERIAL # OF VENDER.
ALL PRICES ARE SUBJECT TO CHANGE WITHOUT NOTICE.

HINGES AND HANDLE



Chicago Tee Handle Lock Assembly



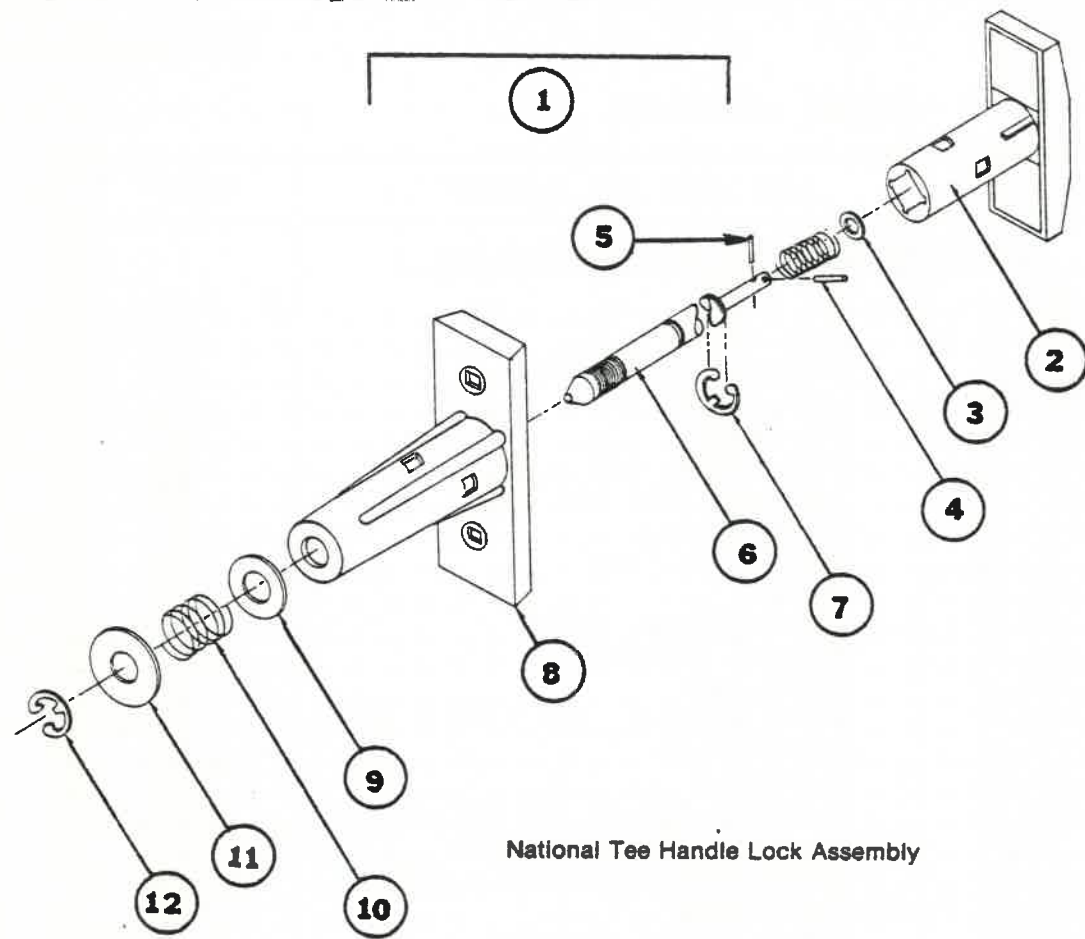
HINGES AND HANDLE

ITEM NO.	PART NUMBER	PART NAME AND DESCRIPTION	PRICE
ALL DIXIE-NARCO RED CAM ADAPTABLES			
1	B801.501.710.31	Top Hinge	\$ 3.99
2	900.700.600.01	Flat Washer	.05
3	A800.502.030.01	Collar - Hinge Pin	.47
4	A900.201.260.01	Lock Screw	.17
5	900.900.470.02	Cap Screw	.05
6	903.000.070.02	Lockwasher, 1/4 - 20	.05
7	900.201.170.01	Carriage Bolt and Nut	.07
8	A169.000.150.13	Hinge Spacer	1.00
9	801.803.170.01	Bearing Nyliner	.08
10	900.700.530.01	Washer	.08
11	B169.000.100.93	Bottom Hinge, W/A	3.99
12	A901.800.330.51	Flanged Bushing	.13
13	900.700.710.01	Lockwasher	.08
14	900.900.470.02	Screw Machine, 1/4 x 20 x 3/4	.05
15	C142.160.570.73	Scuff Plate	2.12
16	A801.801.330.51	Roller	.80
17	A142.161.700.63	Assembly Lifter and Roller	3.19
18	A142.160.580.43	Spacer - Roller Bracket	.29
19	900.200.290.01	Screw Machine, 10-24 x 3/4	.09
20	903.000.170.02	Lockwasher	.05
21	B169.000.080.83	Latch Strike Assembly	4.66
22	900.902.090.02	Screw Machine, 10-32 x 1-1/2	.13
23	B801.303.320.51	Nut - Housing	.53
24	A900.800.570.11	Nut	.40
25	900.200.390.01	Screw, Sems	.06
26	B176.150.160.33	Nut Retainer Housing	1.10
27	801.501.860.31	Pull Out Handle (complete)	5.98
28	801.501.470.01	Lock w/2 keys	5.85
29		Key (Specify Number)	.40
30	4265-1	Handle	2.33
31	4255-6-43W	Bolt - threaded, long	1.59
32	900.901.510.02	Screw, 10-32 x 5/8	.08
33	31-5	C-Clip	.13
34	901.700.640.01	Spring	.21
35	900.700.760.01	Washer	.13
36	4265-2	Body	2.33
37	31-5	C-Clip	.13

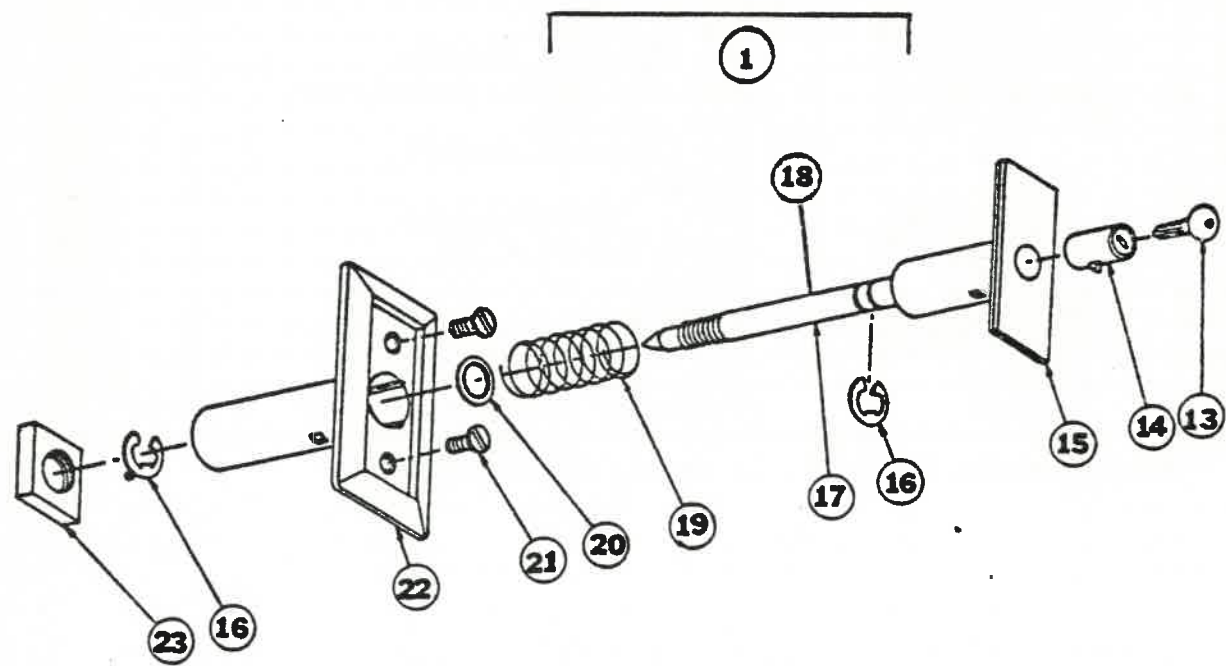
When ordering items #1, 11 or 15, Specify Color.

WHEN ORDERING PARTS, INDICATE MODEL # AND SERIAL # OF VENDER.
ALL PRICES ARE SUBJECT TO CHANGE WITHOUT NOTICE.

PULL-OUT HANDLE



National Tee Handle Lock Assembly

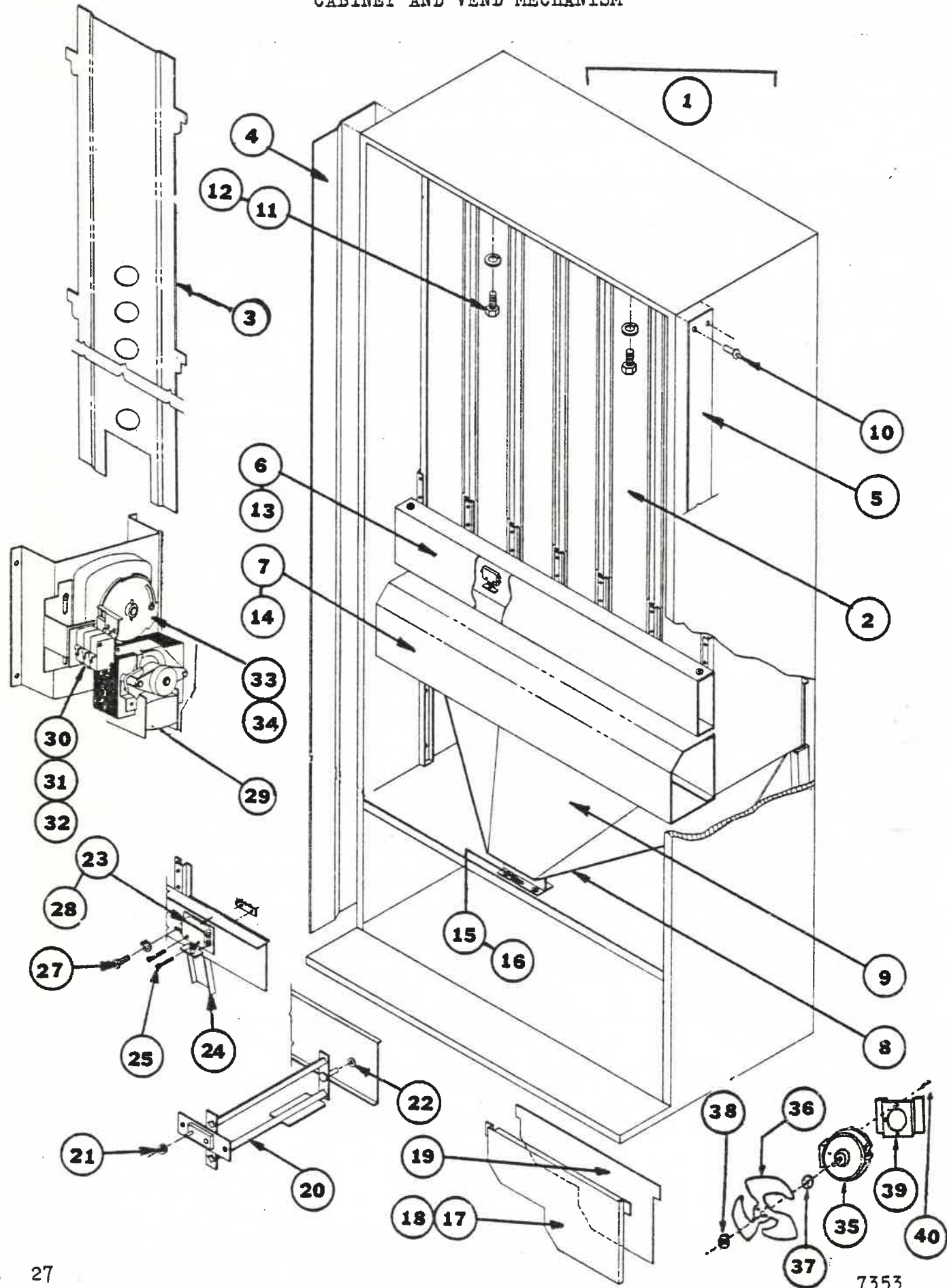


Chicago Tee Handle Lock Assembly

PULL-OUT HANDLE

ITEM NO.	PART NUMBER	PART NAME AND DESCRIPTION	PRICE
	ALL DIXIE-NARCO RED CAM ADAPTABLES		
1	801,501,860,31	Pull Out Handle (complete)	\$ 5.98
2	N1-0472-103-6	Handle	
3	N1-0472-255	Spring Support Washer	
4	N1-0472-256	Pin	
5	N1-0472-254	Pin	
6	N1-0472-253-1	Spindle	
7	N1-0472-132-1	Retaining Ring	
8	N1-0472-102-6	Handle Pocket	
9	N1-0472-133-1	Inside Washer	
10	N1-0472-255-1	Spring	
11	N1-0472-129-1	Washer	
12	N1-0472-132-1	Retaining Ring	
13		Key, Specify Key Number	.40
14	801,501,470,01	Lock w/2 keys	5.85
15	4265-1	Handle	2.33
16	31-5	C-Clip	.13
17	4255-6-38W	Bolt Threaded, Long	1.59
18	4255-6-41W	Bolt Threaded, Short	1.59
19	901,700,640,01	Spring	.21
20	900,700,760,01	Washer	.13
21	900,901,510,02	Screw, machine, 10-32 x 5/8	.08
22	4265-2	Body	2.33
23	A900,800,570.11	Nut, Square, 1/2 x 13	.40

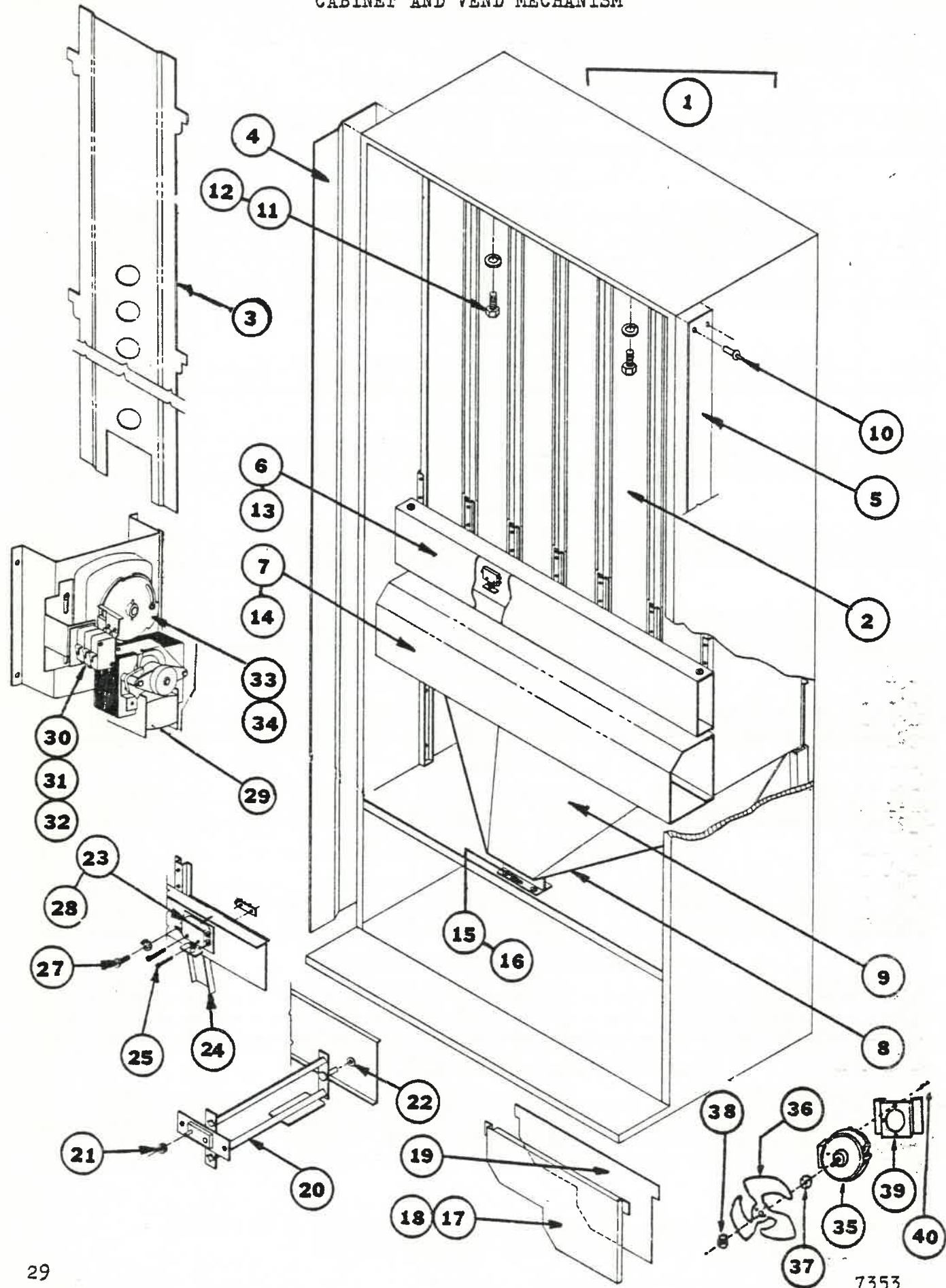
WHEN ORDERING PARTS, INDICATE MODEL # AND SERIAL # OF VENDER.
ALL PRICES ARE SUBJECT TO CHANGE WITHOUT NOTICE.



CABINET AND VEND MECHANISM

ITEM NO.	PART NUMBER	PART NAME AND DESCRIPTION	PRICE
DCB170/100-5			
1	D154,060,001.73	Cabinet Assy. Less Stack	\$174.48
2	D214,070,000.13C	Vend Mechanism Assembly	250.88
3	C173,070,400.13	Bottle Guide Assembly	4.65
4	C168,000,030.83	Protective Plate, L. Side	13.65
5	B168,000,040.83	Protective Plate, R. Side	11.98
DCB250/145-5			
1	D155,060,001.73	Cabinet Assy. Less Stack	186.16
2	D214,070,000.13B	Vend Mechanism Assembly	275.88
DCB290/170-5			
1	D125,060,000.23	Cabinet Assy. Less Stack	202.06
2	D214,070,000.13D	Vend Mechanism Assembly	300.88
DCB350/200-5			
1	D156,060,001.53	Cabinet Assy. Less Stack	212.74
2	D214,070,000.13A	Vend Mechanism Assembly	325.88
DCB300/174-6			
1	D166,060,001.13	Cabinet Assy. Less Stack	178.69
2	C211,070,000.23C	Vend Mechanism Assembly	312.73
DCB348/204-6			
1	D165,060,001.23	Cabinet Assy. Less Stack	193.60
2	C211,070,000.23B	Vend Mechanism Assembly	357.41
DCB420/240-6			
1	D164,060,001.23	Cabinet Assy. Less Stack	208.49
2	C211,070,000.23A	Vend Mechanism Assembly	402.08
DCB250/145-5 and DCB300/174-6			
3	C172,070,400.53	Bottle Guide Assembly	5.06
4	C166,000,030.93	Protective Plate, L. Side	17.12
5	B166,000,040.83	Protective Plate, R. Side	13.42
DCB290/170-5 and DCB348/204-6			
3	C165,073,500.63	Bottle Guide Assembly	7.53
4	C165,000,030.73	Protective Plate, L. Side	15.29
5	B165,000,040.73	Protective Plate, R. Side	11.98
DCB350/200-5 and DCB420/240-6			
3	C164,073,500.73	Bottle Guide Assembly	7.98
4	C164,000,030.93	Protective Plate, L. Side	15.29
5	B164,000,040.93	Protective Plate, R. Side	11.98

WHEN ORDERING PARTS, INDICATE MODEL # AND SERIAL # OF VENDER.
ALL PRICES ARE SUBJECT TO CHANGE WITHOUT NOTICE.

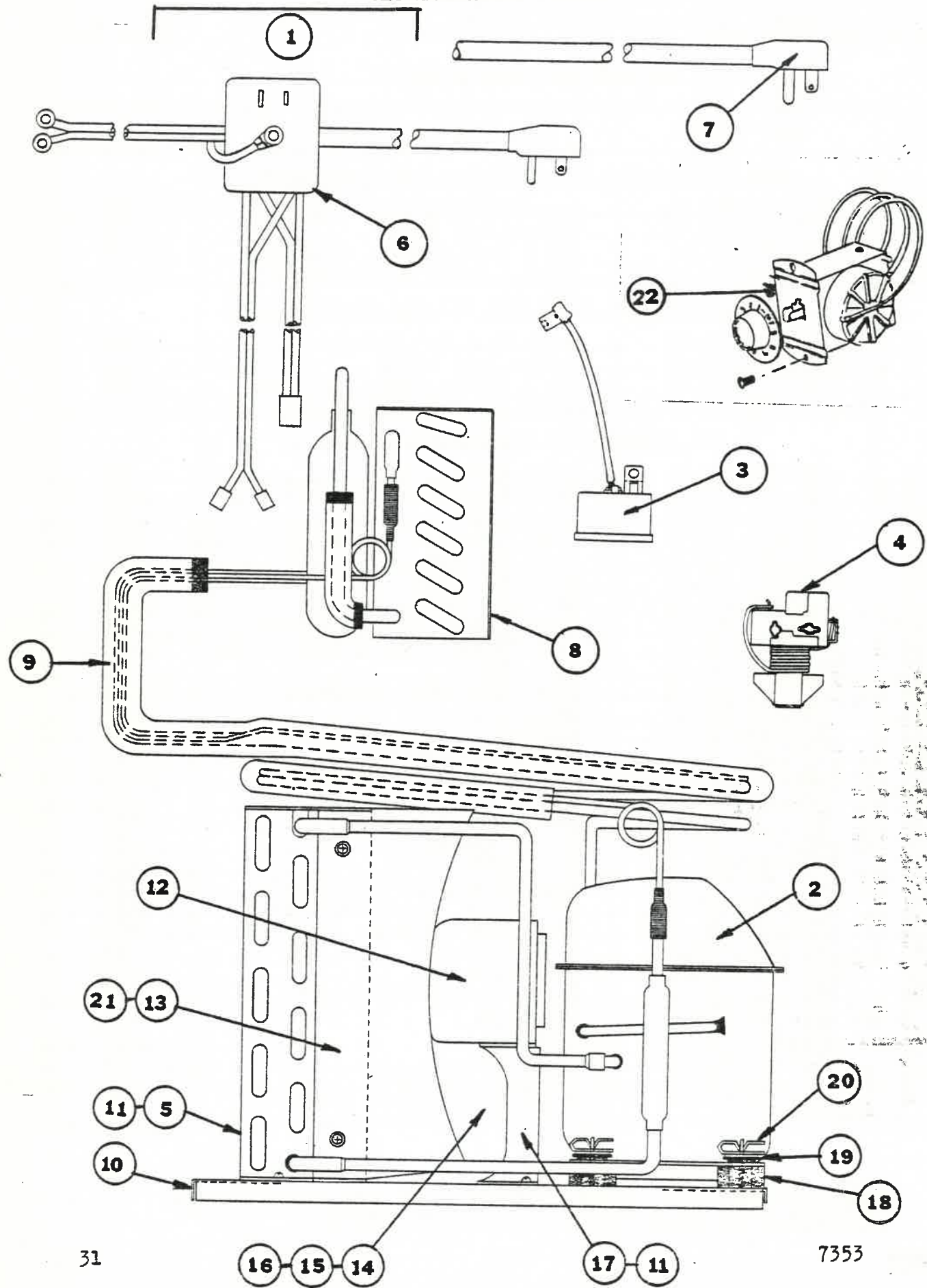


CABINET AND VEND MECHANISM

ITEM NO.	PART NUMBER	PART NAME AND DESCRIPTION	PRICE
ALL DIXIE-NARCO 5-PRODUCT RED CAM ADAPTABLES			
6	B172.070.700.33	Cover, Sold Out Switches S/A	\$ 2.66
7	C179.070.250.23	Cover, vend motor	5.70
8	C208.070.100.43	Can & Bottle Chute Assembly	13.06
9	D208.070.020.43	Liner - Can & Bottle Chute	5.34
ALL DIXIE-NARCO 6-PRODUCT RED CAM ADAPTABLES			
6	B176.070.700.03	Cover, Sold Out Switches S/A	2.66
7	C176.070.250.33	Cover, vend motor	5.70
8	C211.070.100.13	Can & Bottle Chute Assembly	13.65
9	D211.070.020.23	Liner - Can & Bottle Chute	
ALL DIXIE-NARCO RED CAM ADAPTABLES			
10	901.100.440.01	Drive Rivet, 1/4	.27
11	900.900.470.01	Screw, Machine, 1/4-20 x 3/4	.05
12	903.000.070.02	Lockwasher	.05
13	900.301.560.01	Screw, Machine 8-32 x 3/8	.06
14	900.201.130.01	Screw, Machine 8-32 x 5/16	.06
15	B147.074.400.73	Bracket - Chute	1.32
16	900.900.960.02	Hex Nut - 10-32	.06
17	B172.070.260.23	Right Formed Shim (R.H. Shown)	.27
18	B172.070.250.23	Left Formed Shim (L.H. opposite)	.27
19	B172.070.240.43	Flat Shim	.67
20	C176.072.300.13	Oscillator Assy. operator	19.95
21	901.803.750.01	Nyliner	.08
22	801.803.170.01	Nyliner	.08
23	804.100.410.01	Switch, Sold-Out	2.12
24	B164.070.100.33	Paddle, Sold-Out Switch	1.19
25	900.301.530.01	Screw, S/M, #4 x 1	.06
27	900.301.560.01	Screw, Machine, #8 x 3/8	.06
28	A905.800.390.21	Switch insulator	.05
29	C179.070.600.13	Vend Motor - S/A	17.00
30	A147.070.290.33	Vend Motor Switch (single)	1.99
31	B804.100.460.01	Cam Hold & bypass switches	3.13
32	905.800.330.01	Insulator - Spacer	.05
33	C801.804.090.01	Vend Motor Cam	.29
34	C801.804.000.01	Adjustable Cam	.18
35	B143.000.301.03	Evaporator Fan Motor S/A	15.95
36	901.303.270.01	Fan Blade	.92
37	900.100.280.02-2	Silencer	.05
38	900.100.970.02-1	Speed Nut	.08
39	B164.040.080.63	Bracket, Fan Motor	.67
40	900.300.320.01	Screw, Self Tapping 10-24	.05

WHEN ORDERING PARTS, INDICATE MODEL # AND SERIAL # OF VENDER.
ALL PRICES ARE SUBJECT TO CHANGE WITHOUT NOTICE.

REFRIGERATION SYSTEM



REFRIGERATION SYSTEM

ITEM NO.	PART NUMBER	PART NAME AND DESCRIPTION	PRICE
DCB170/100-5 and DCB250/145-5			
1	D142,040,002.23	Refrigeration system complete	\$ 101.75
2	802,500,110.01	Compressor, Model AE3430A Tec.	69.14
3	83458	Overload for AE3430A Compressor	2.07
*	(SPMRP-26 ALL-34)	Overload for AE3430A Compressor	
4A	82684	Relay for AE3430A Compressor	4.01
*	(SP9660-040-176)	Relay for AE3430A Compressor	
4B	82483	Relay for AE3430A Compressor	2.46
*	(GE3ARR12-PB162)	Relay for AE3430A Compressor	
5	C808,600,540.92	Condenser	11.44
DCB290/170-5, DCB350/200-5, DCB300/175-6, DCB340/204-6 & DCB420/240-6			
1	D143,040,402.03	Refrigeration system complete	106.75
2	802,500,170.01	Compressor, Model AE3440A Tec.	79.37
3	Tec 8300MRTA78	Overload for AE3440A compressor	2.19
*	(SPMRT-22AIN-34)	Overload for AE3440A compressor	
4A	Tec 8209660A09	Relay for AE3440A compressor	2.54
*	(SP9660-040-182)	Relay for AE3440A compressor	
4B	820RR12 10	Relay for AE3440A compressor	2.60
*	(GE3ARR12-PB220)	Relay for AE3440A compressor	
5	D808,700,090.42	Condenser	14.82
ALL DIXIE-NARCO RED CAM ADAPTABLES			
6	C804,900,601.51	Main Wiring Harness	7.12
7	A904,900,610.81	Compressor lead w/plug	1.71
8	B802,600,370.51	Evaporator	18.61
9	903,300,530.01	Insulator tube	.15/ft.
10	C164,040,120.43	Base Plate - condensing unit	5.00
11	900,301,560.01	Screw, Sems	.05
12	802,302,120.02	Fan Motor	11.98
13	902,100,160.02	Shroud	.67
14	900,103,370.02	Fan Blade	.93
15	900,100,970.02-2	Silencer	.05
16	900,100,970.02-1	Speed Nut	.08
17	900,102,970.02	Fan Bracket	.40
18	902,000,570.01	Grommet, compressor mounting	.13
19	A901,803,910.11	Plug, compressor grommet	.06
20	A900,901,880.01	Retainer Clip, comp. mounting	.06
21	900,300,160.01	Screw, S/M #6 x 3/8	.06
22	802,800,090.01	Temperature control	7.19

* Relative to Relays and Overloads, the numbers that appear in parenthesis () are always stamped on the Relay and Overload. Either number can be used for ordering purposes.

WHEN ORDERING PARTS, INDICATE MODEL # AND SERIAL # OF VENDER.
ALL PRICES ARE SUBJECT TO CHANGE WITHOUT NOTICE.

HOW TO CORRECT COMMON VENDING TROUBLES

--Rejects All Good Coins--

<u>A Possible Cause Is</u>	<u>To Make Sure</u>	<u>This Is What To Do</u>
Vender not plugged in.	Look, if not	Plug the vender in.
Slug rejector is neither vertical nor level.	Look at it and try a coin. If coin is rejected,	Level the vender.
Blocking fingers remain in coin path.	Remove the Slug Rejector - unplug the vender. Touch prods of test lamp to either side of electro magnet coil, lamp should light, if it doesn't,	Put in a new coil or magnet coil assembly.
The coin paths are dirty.	Remove the slug rejector. look at it, if it is dirty,	Clean it with warm water, a good detergent. Dry it thoroughly.
The slug rejector is out of adjustment or the scavenger gate is not closed.	Remove the slug rejector. Put a coin in, if it rejects the coin,	Adjust the slug rejector.
Low voltage.	Check with a volt-meter, if voltage is low,	Correct with location outlet.
N.C. contact of Vend Relay Switch #1.	Put prods of test lamp to N.C. and C. contact. Lamp should light, if it doesn't,	Clean contact with approved cleaner or install new relay.
*N.O. contact of By Pass Switch and	Push switch arm back - put prods of test lamp to N.O. and C. contact. Lamp should light, if it doesn't,	Replace switch.
*N.C. contact of Vend Motor Switch.	Put prods of test lamp to N.C. and C. contact. Lamp should light, if it doesn't,	Replace Switch.

* These two (2) switches combined and in the same circuit can break the circuit to the Coin Changer.

HOW TO CORRECT COMMON VENDING TROUBLES (Cont.)

Accepts Coins But Does Not Let A Can Or Bottle Vend From A Given Column

<u>A Possible Cause Is</u>	<u>To Make Sure</u>	<u>This Is What To Do</u>
Vend Motor.	Put the prods of a test lamp to either side of the coil. Lamp should light, if it doesn't,	Put in a new vend motor.
N.O. contact of Vend Motor switch.	Push switch arm back. Put the prods of a test lamp to N.O. and C. contacts. Lamp should light, if it doesn't,	Put in a new vend motor switch.
N.O. contact of Vend Motor Switch.	Put the prods of a test lamp to N.O. and C. contacts. Lift switch arm up, lamp should light, if it doesn't,	Put in a new switch.
N.O. contact of a Select Switch.	Push switch arm back. Put the prods of a test lamp to N.O. and C. contacts. Lamp should light, if it doesn't,	Put in a new switch.
N.O. contact of a Sold Out Switch in a Vending Circuit.	Push switch arm back. Put the prods of a test lamp to N.O. and C. contacts. Lamp should light, if it doesn't,	Put in a new switch.

HOW TO CORRECT COMMON VENDING TROUBLES (Cont.)

Accepts Coins But Does Not Let A Can Or Bottle Vend From Any Column

<u>A Possible Cause Is</u>	<u>To Make Sure</u>	<u>This Is What To Do</u>
Vend Switch Coin Changer.	Put the prods of a test lamp to N.C. and C. contacts. Lamp should light, if it doesn't,	Put in a new Vend Switch.
Vend Switch Coin Changer.	Put the prods of a test lamp to N.O. and C. contacts. Push the switch arm down, lamp should light, if it doesn't,	Put in a new Vend Switch.
Vend Relay Coil.	Put the prods of a test lamp to either side of the coil. Lamp should light, if it doesn't,	Put in a new Vend Relay.
N.O. contact of Vend Relay Switch #2.	Energize Vend Relay Coil. If contact does not touch or if it touches and then opens,	Clean contact with approved cleaner or put in new relay.
N.C. contact of Select Switch #5	Put the prods of a test lamp to N.C. and C. contacts. Lamp should light, if it doesn't,	Put in a new Select Switch.
N.O. contact of any cam hold switch.	Push switch arm back. Put prods of test lamp to N.O. and C. Lamp should light, if it doesn't,	Put in a new Cam Hold Switch.